

TPRIM
1217

Installation Manual

Parina Dual Handle Thermostatic Shower Valve

- 1 Outlet TPR-201
- 2 Outlets TPR-202
- 3 Outlets TPR-203

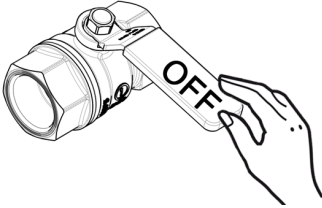


Parina Brassware
Parina Rubineti

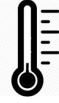
TISSINO

Designed to Inspire
Made to Experience

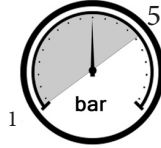
1



$65 \pm 5^\circ\text{C}$



$15 \pm 5^\circ\text{C}$

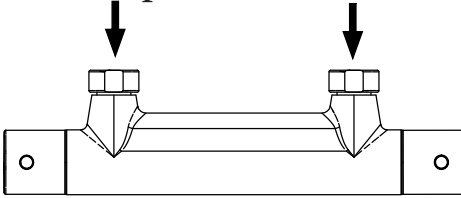


MIN - MAX

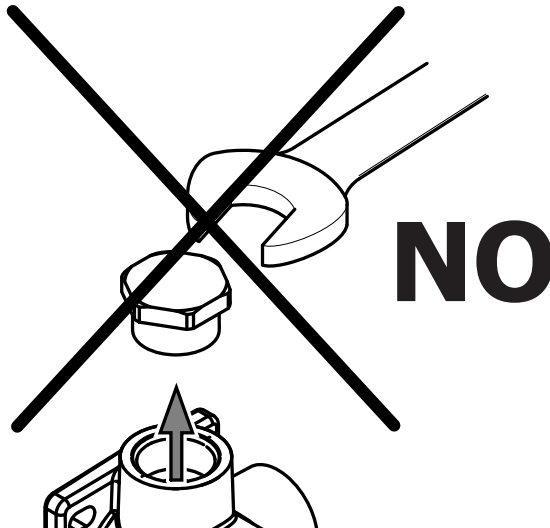


OK

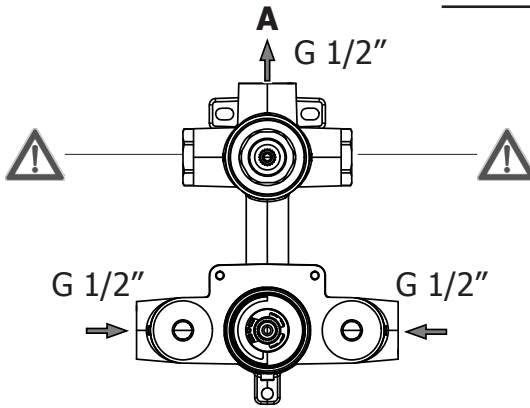
Δp MAX 1bar



Δp : differenza pressione in entrata
different inlet water pressure



2 a

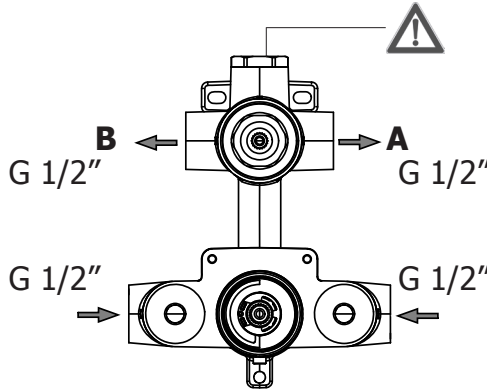


TPR-201



Rispettare le uscite e non rimuovere i tappi
Respect the outlets and don't remove the plug

b

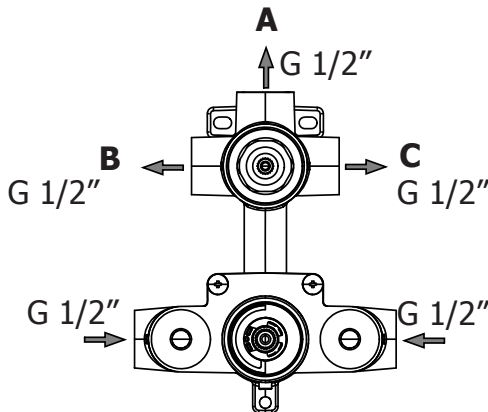


TPR-202



Rispettare le uscite e non rimuovere i tappi
Respect the outlets and don't remove the plug

c



TPR-203

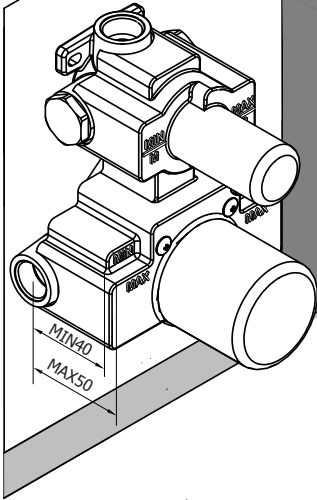


3

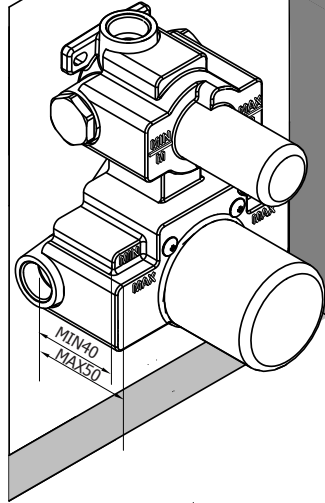
TPR-201

TPR-202

a



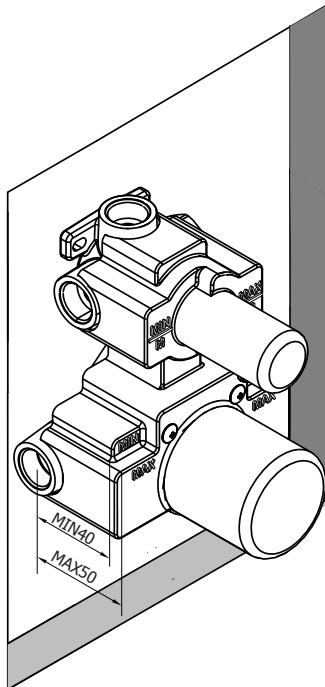
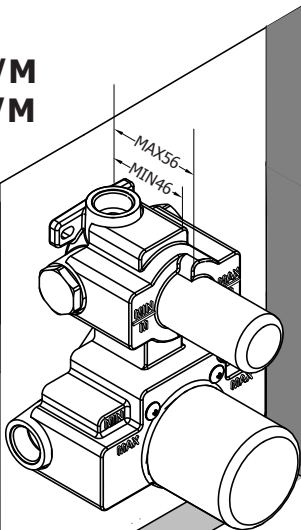
b



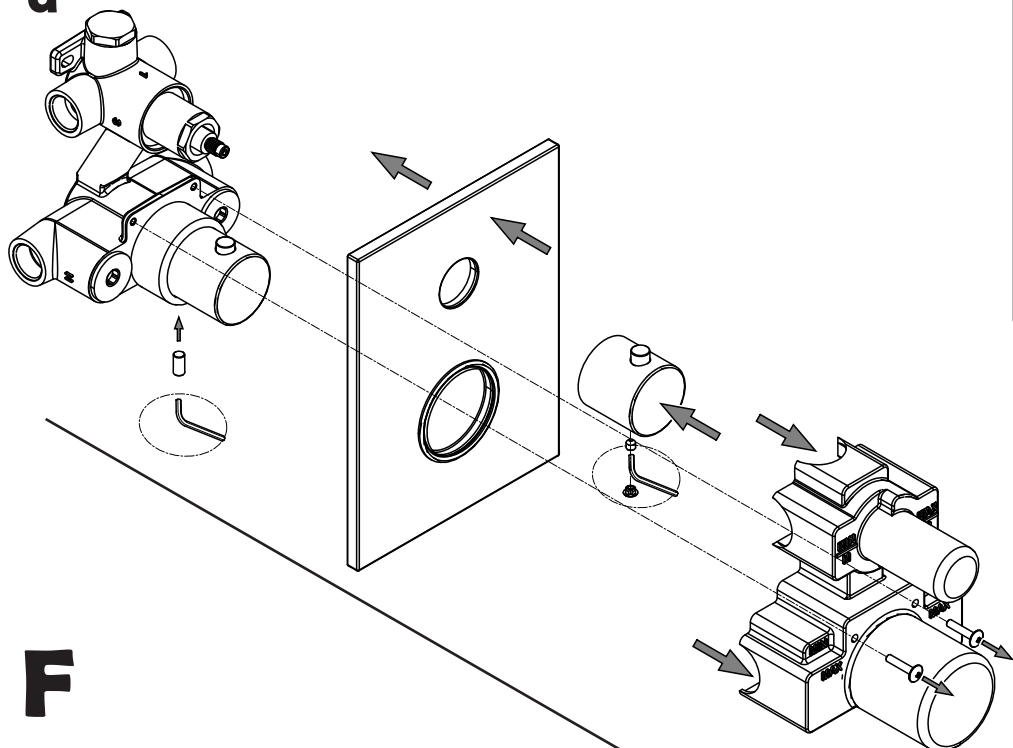
Solo per piastra in METALLO
Only for METAL wall plate

TPR-203

C
CR/M
AC/M

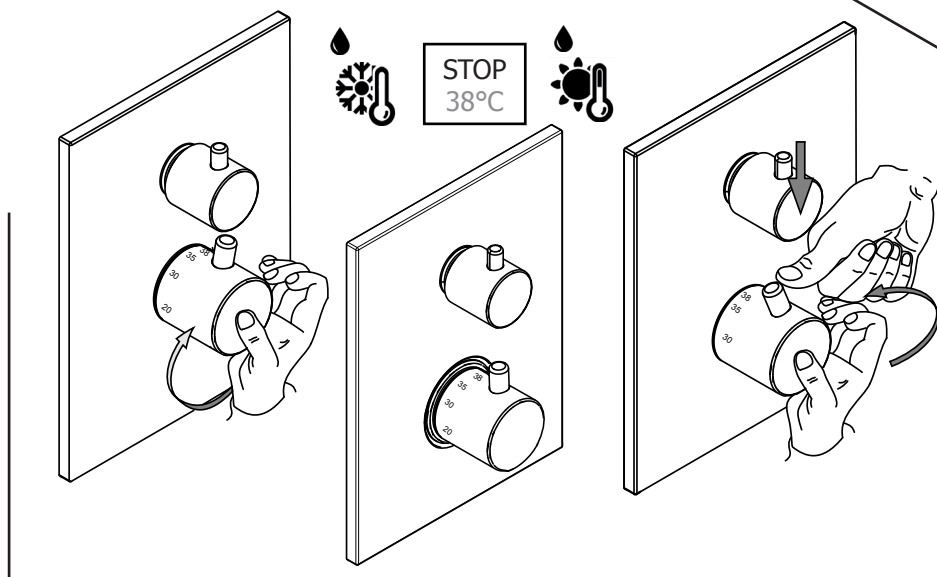


d



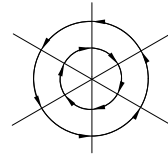
F

Funzionamento cartuccia termostatica
Working thermostatic cartridge

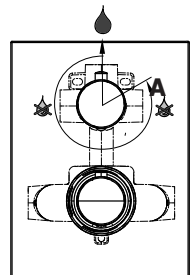
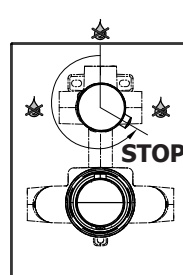
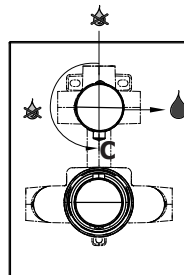
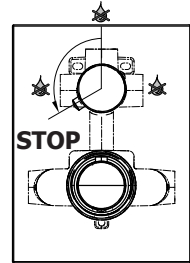
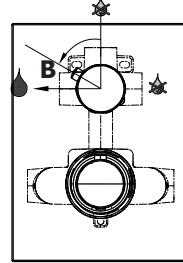
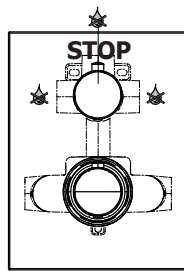
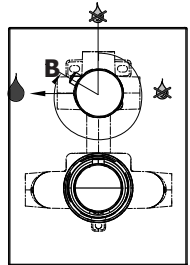
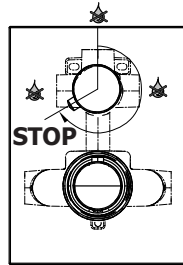
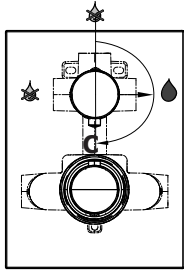
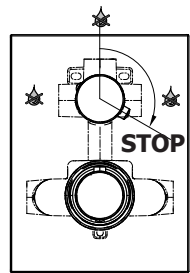
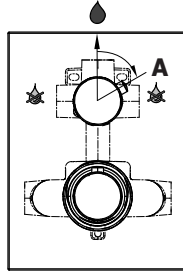
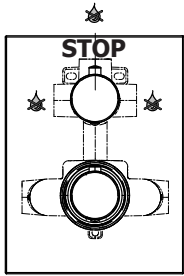


D

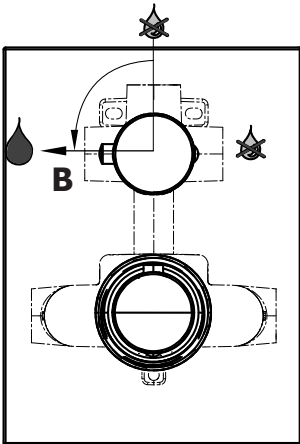
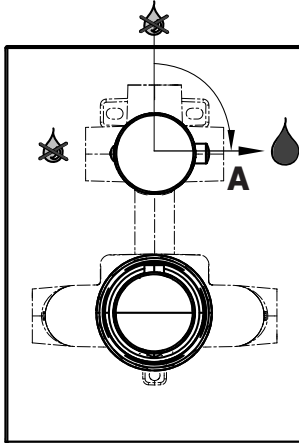
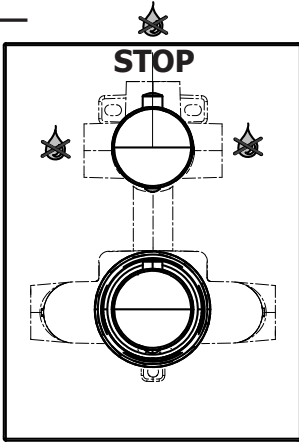
Funzionamento deviatore Diverter working



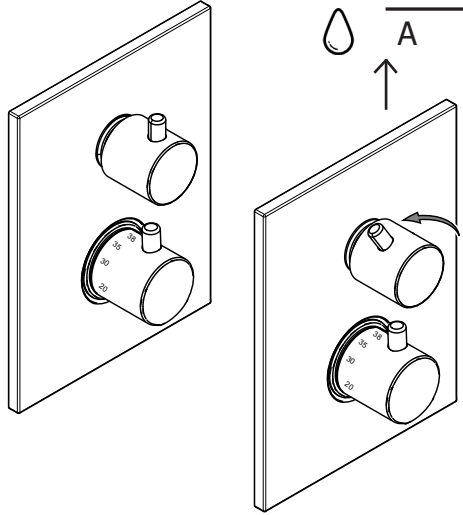
TPR-203



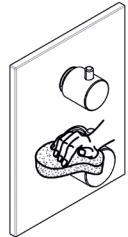
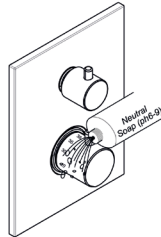
TPR-202



TPR-201



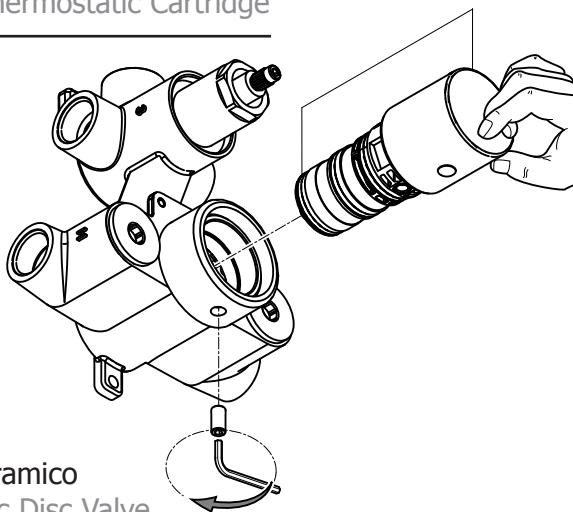
M Manutenzione Service



S

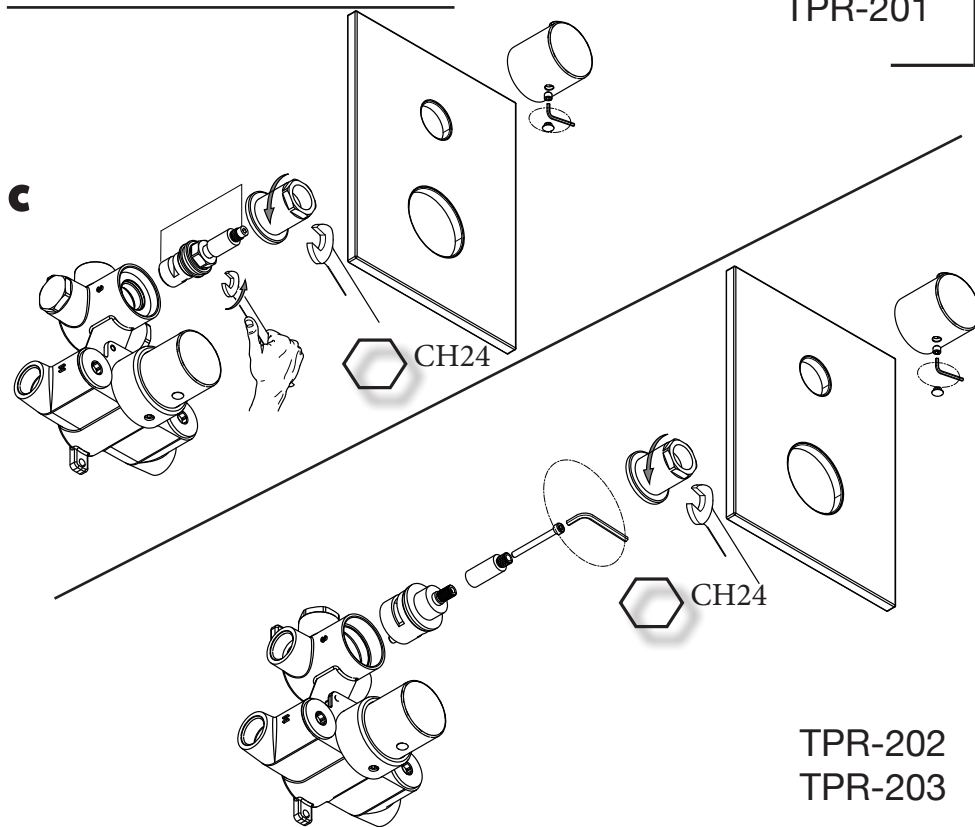
Sostituzione Cartuccia Termostatica How to replace Thermostatic Cartridge

a



b

Sostituzione Vitone Ceramico How to replace Ceramic Disc Valve



TPR-201

c

Sostituzione Deviatore How to replace Diverter

tissino

Designed to Inspire
Made to Experience

T 0845 582 8000
E info@tissino.co.uk
W tissino.co.uk

Lyncastle Road
Appleton Thorn
Warrington WA4 4SN