

PRODUCT DATASHEET

Nerola Close-Coupled Toilet set Comfort height

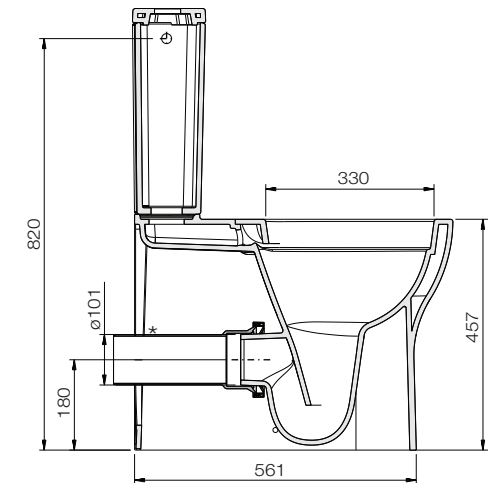
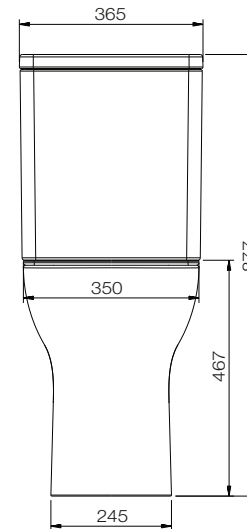
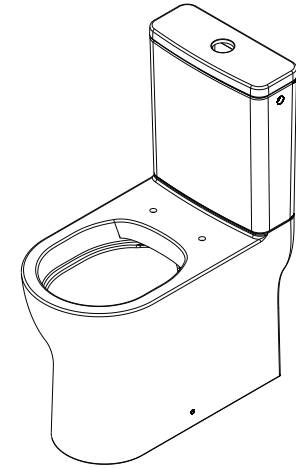
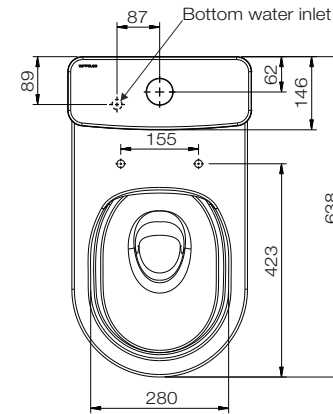
tissino

Designed to Inspire
Made to Experience



A sleek yet higher close-coupled toilet set, available with a range of coloured fittings

TECHNICAL DRAWING



PRODUCT DETAILS

Finishes	Pan	Gloss white ceramic
	Cistern	Gloss white ceramic
	Seat hinges & Flush button	Chrome, Matt Black, Brushed Brass
Dimensions	Height	877 mm
	Width	365 mm
	Depth	638 mm
Material	Glazed ceramic	
Water connection	1/2" BSP male	
Waste connection	Ø 100 mm	
Weight	38.4 kg	
Warranty	Lifetime	
Codes		
Wrapover seat	Chrome fittings	TNE-208-CP
	Matt Black fittings	TNE-208-MN
	Brushed Brass fittings	TNE-208-BB
Slimline seat	Chrome fittings	TNE-308-CP
	Matt Black fittings	TNE-308-MN
	Brushed Brass fittings	TNE-308-BB

See separate datasheet for information on seat options

tissino

Lyncastle Road, Appleton Thorn, Warrington WA4 4SN

info@tissino.co.uk

+44 (0) 345 582 8000

tissino.co.uk



YOUR BATHROOM
MADE BEAUTIFUL

