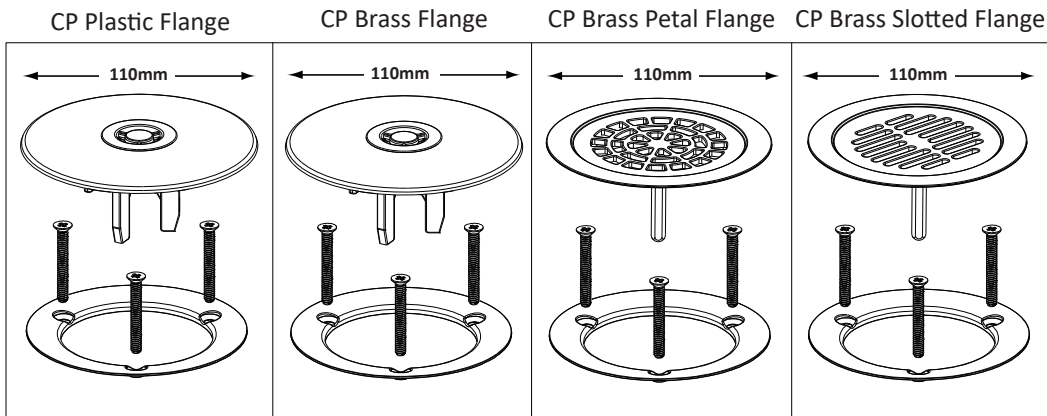


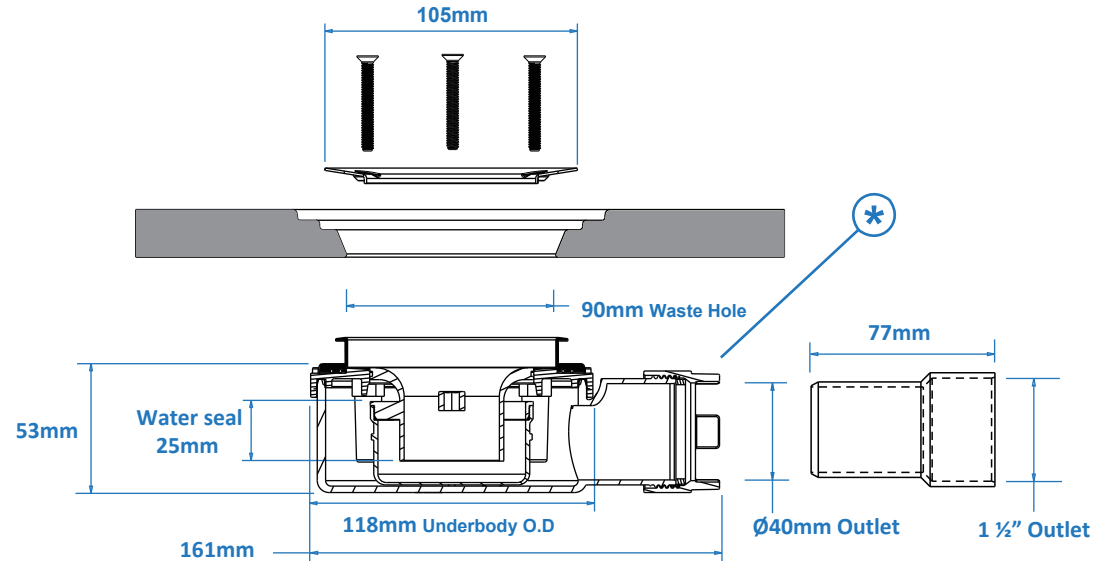
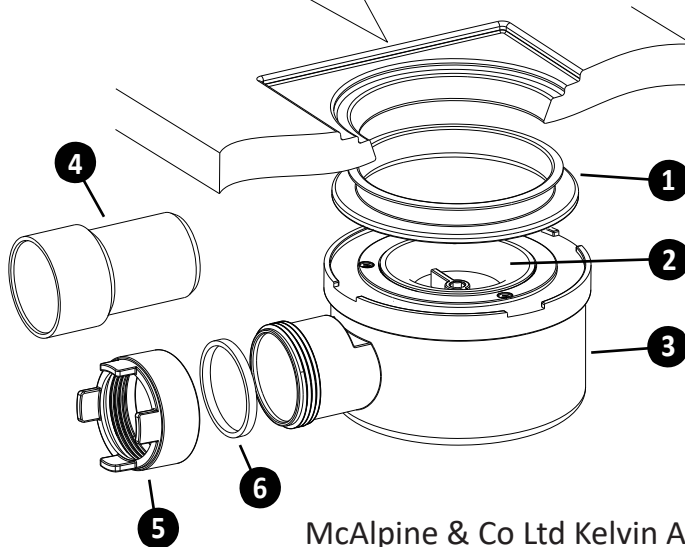
90mm Shower Trap with 40mm - 1 1/2" Outlet & 3 Screw Clamp Flange.

- 3 screw clamp flange for easy installation.
- 25mm water seal with 40mm pipe outlet.
- Includes trap adaptor to suit 1 1/2" UK pipe size.

Optional Flange Covers



- 1 Trap flange seal.
- 2 Removable sediment cup.
- 3 Trap body (40mm pipe outlet).
- 4 40mm to 1 1/2" pipe adaptor.
- 5 Compression outlet nut.
- 6 Outlet nut seal.



* DO NOT CHANGE THE OUTLET NUT (item No. 5) TO ANY OTHER TYPE OF NUT.

Maintenance

Cover and cup removable from top to facilitate easy cleaning.

