

Code:

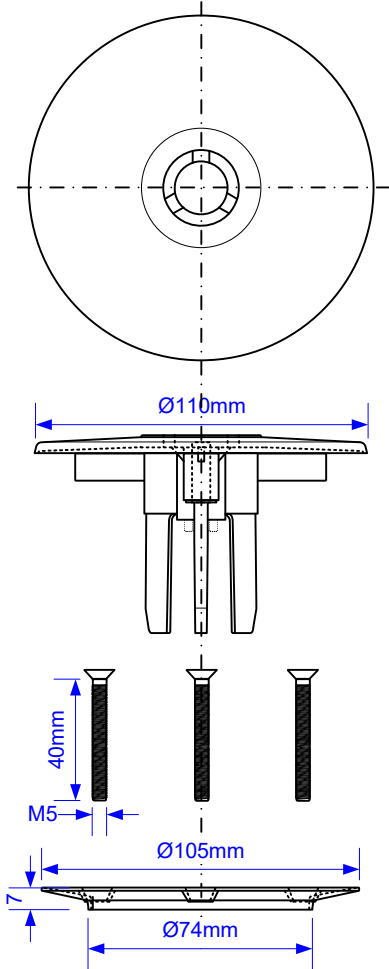
# 90mm x 25mm Traps

Height = 53mm, Flowrate = 24 l/min

**M'ALPINE**  
Plumbing Products

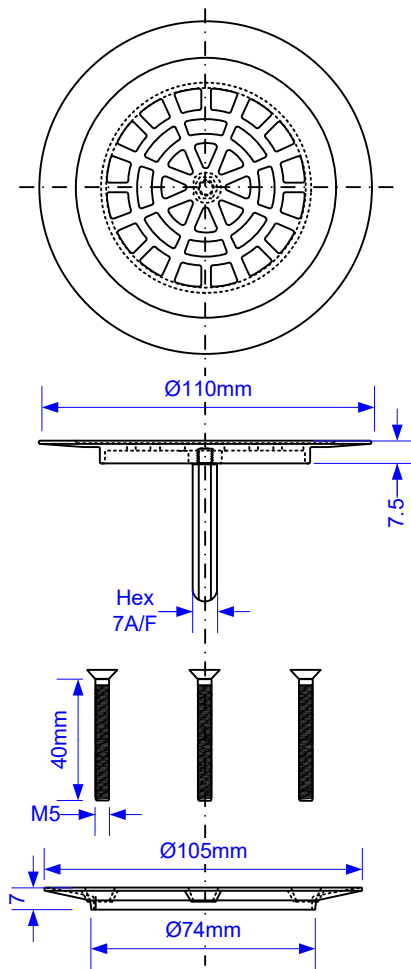
Grid and Flange dimensions for:

**ST90CB10-53**  
**ST90CP10-53**



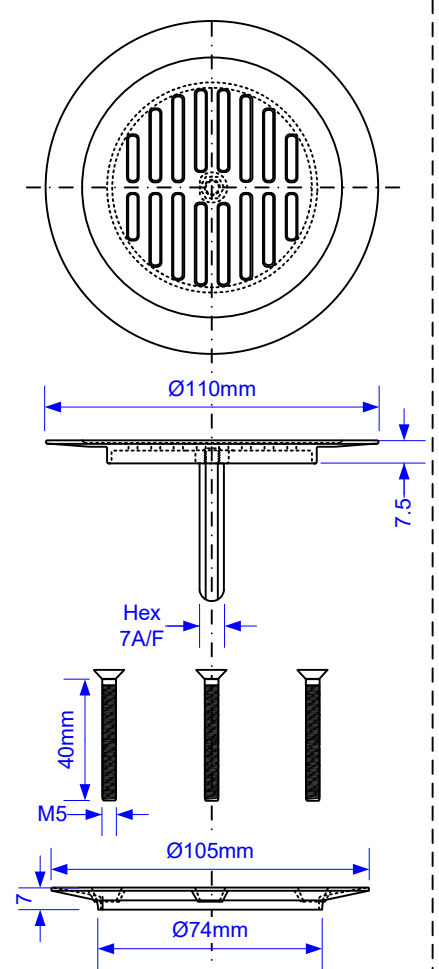
Grid and Flange dimensions for:

**ST90CPB-P-53**

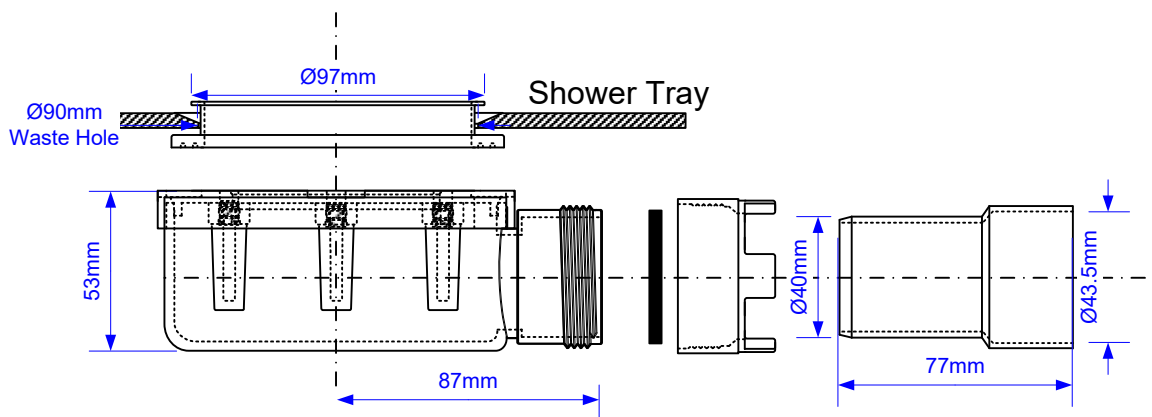


Grid and Flange dimensions for:

**ST90CPB-S-53**



Each product uses this Trap Body



**25mm Water Seal**

Drawing verified correct as of:

30/11/2018  
RM

DRAWN BY  
RM  
SCALE  
1: 2.5

REVISED

FILENAME  
ST90XX10-53 RANGE.VSD  
DATE  
30/11/2018