

Wall mounted shower seat with legs



Product details

Warranty:	2 years
Max rated load:	190 kg
Doc M compliant:	No
Suitable for wet areas:	Yes

Features

- Non-corrosive aluminium & stainless steel frame
- Durable clip-on moulded plastic seat
- Height adjustable; E-clip for 25mm increments
- Foot thread for fine adjustment
- Closed cell polyurethane pad option available for maximum hygiene and comfort
- Foldable design

Finish options

WH

White
RAL 9016

GY

Grey
RAL 7005

Product description

Wall mounted shower seat, legs, white
Wall mounted shower seat, legs, padded, grey

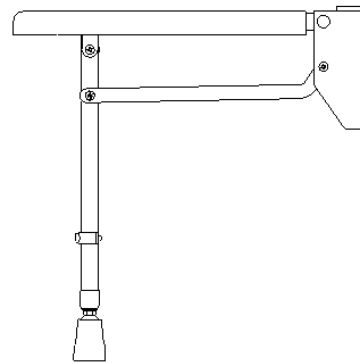
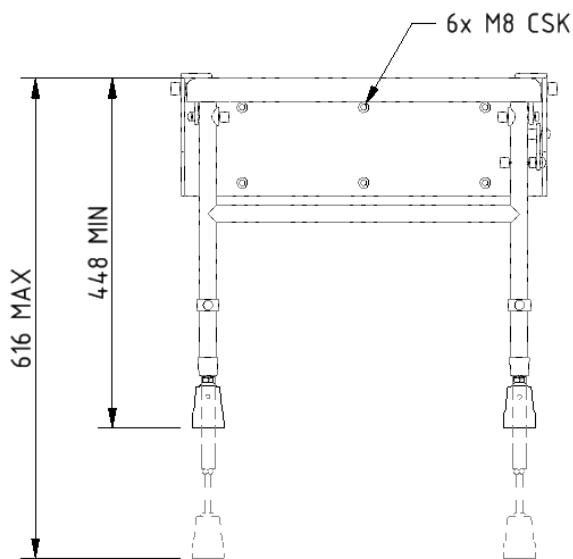
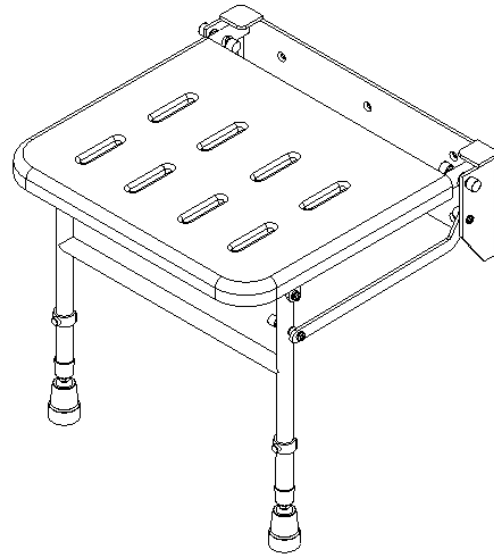
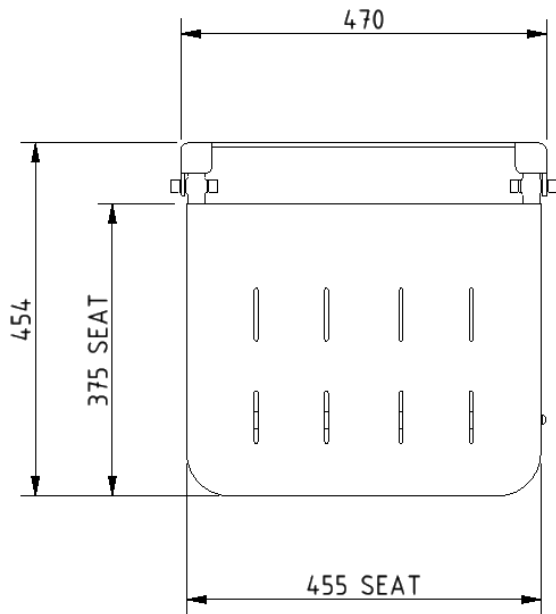
Product code

130202/WH
130204/GY

Disclaimer

NYMAS Group makes every effort to ensure that the information provided on this data sheet is correct. However, we cannot guarantee this, and accept no liability for any information or advice given on this data sheet.

Dimensions (mm)



Note: Pad for 130204 is 20mm thick.