

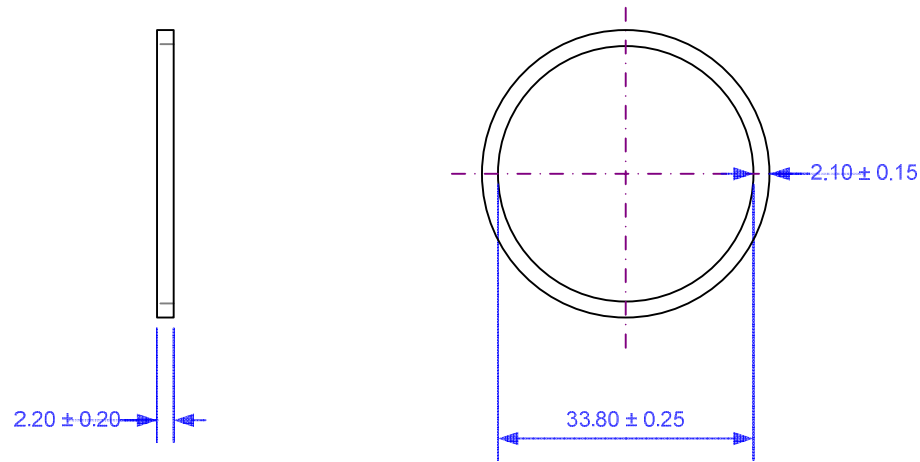
GENERAL NOTES FOR MANUFACTURE

1. MATERIAL TO COMPLY WITH EN 681 TYPE WC

APPROVED

17/5/13

Jim Graham, Nick Williams,
Colin McGurn



ISSUE	DRAWN	S.R.F.	ISSUE CONTROL				DRAWN BY		DIMENSIONS IN		DESCRIPTION
	NEW DRAWING		LOC	A	M	P	Q	COLIN MCGURN	MILLIMETERS	Rubber washer for	
REV	DRAWN	C.McG.	H	-	-	-	-	17/5/13	TOLERANCES	1 1/4" British inlets.	
B	PREV. DWG	28/10/04	J	-	-	-	-	SCALE	UNLESS STATED	MATERIAL	
	TOLERANCES		C	-	-	-	-	FULL	OTHERWISE	E.P.D.M. $70^\circ \pm 5^\circ$	
	UPDATED.		TB	-	-	-	-	PROJECTION	X. +/- 1.00	FINISH	
	PREV. DWG	6/7/06	WR	-	-	-	-	1st Angle	X.X +/- 0.50	BLACK	
	MATERIAL CHANGED.			-	-	-	-	2nd Angle	X.XX +/- 0.10	CODE	
				-	-	-	-			RW1	
				-	-	-	-			CATEGORY	
				-	-	-	-			SEALS	
				-	-	-	-			FILENAME	
				-	-	-	-			RW1.VSD	
				-	-	-	-				