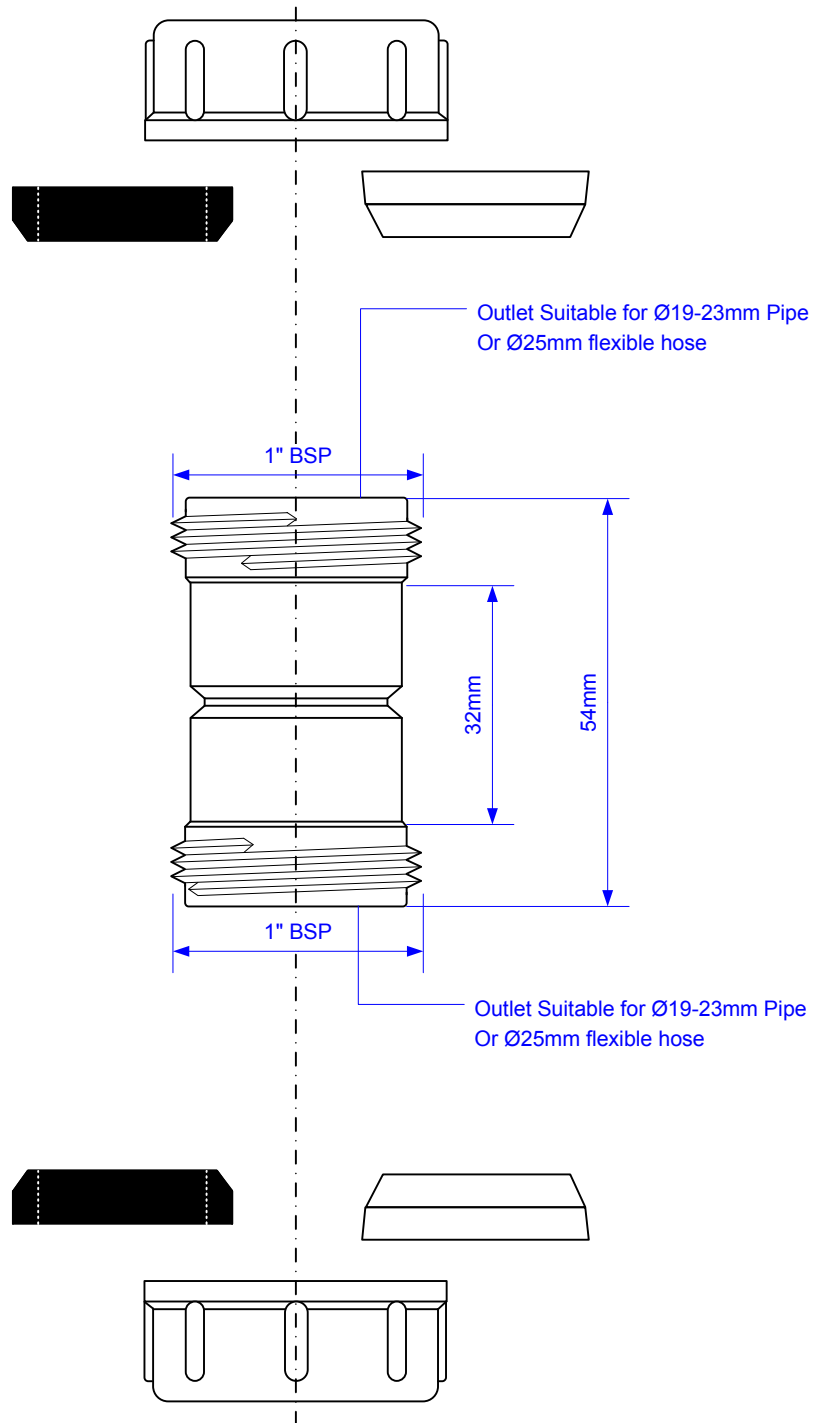


Code:

R1M-CO



© McALPINE
15/02/2012

Drawing verified
correct as of:

15/02/2012
RM

DRAWN BY

RM

REVISED

30/06/2006, 15/02/2012

FILENAME

R1M-CO.VSD

SCALE

1: 1

DATE

15/02/2012