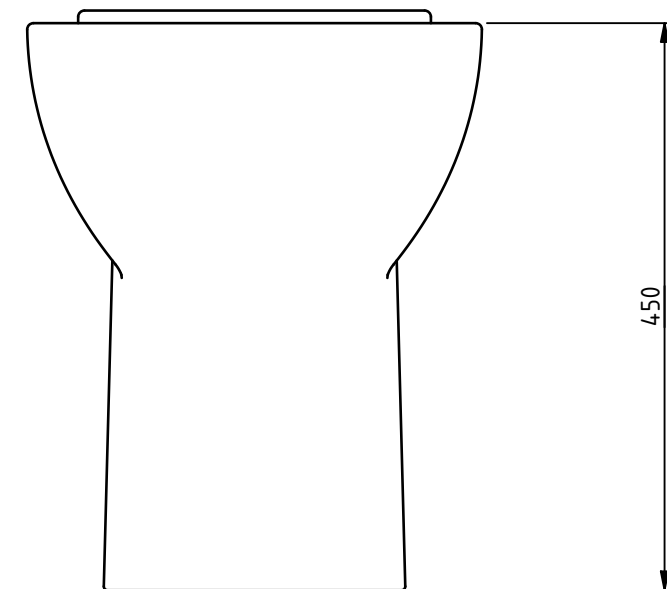
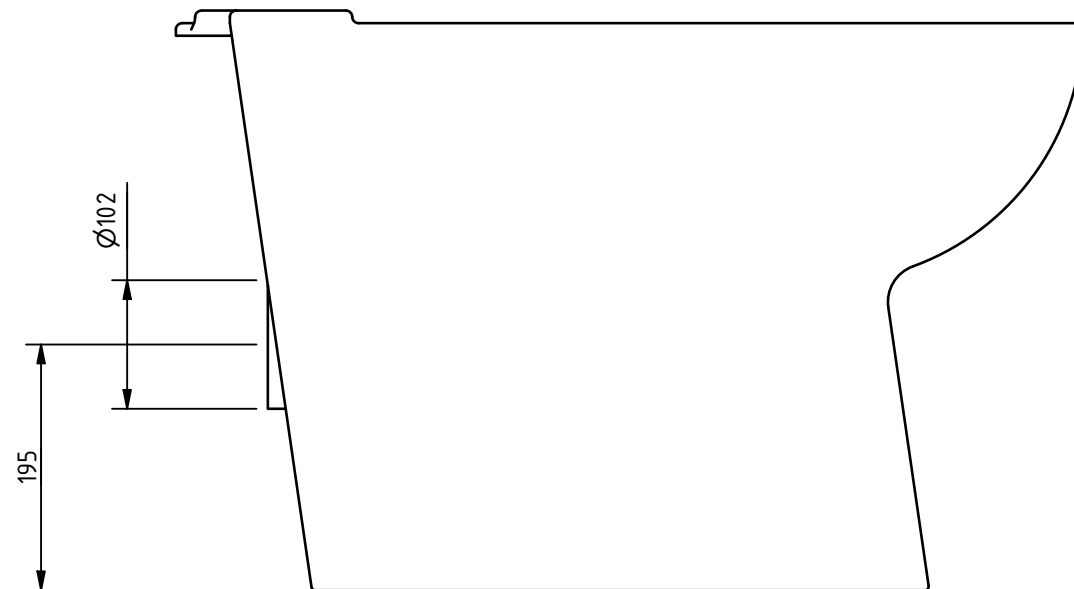
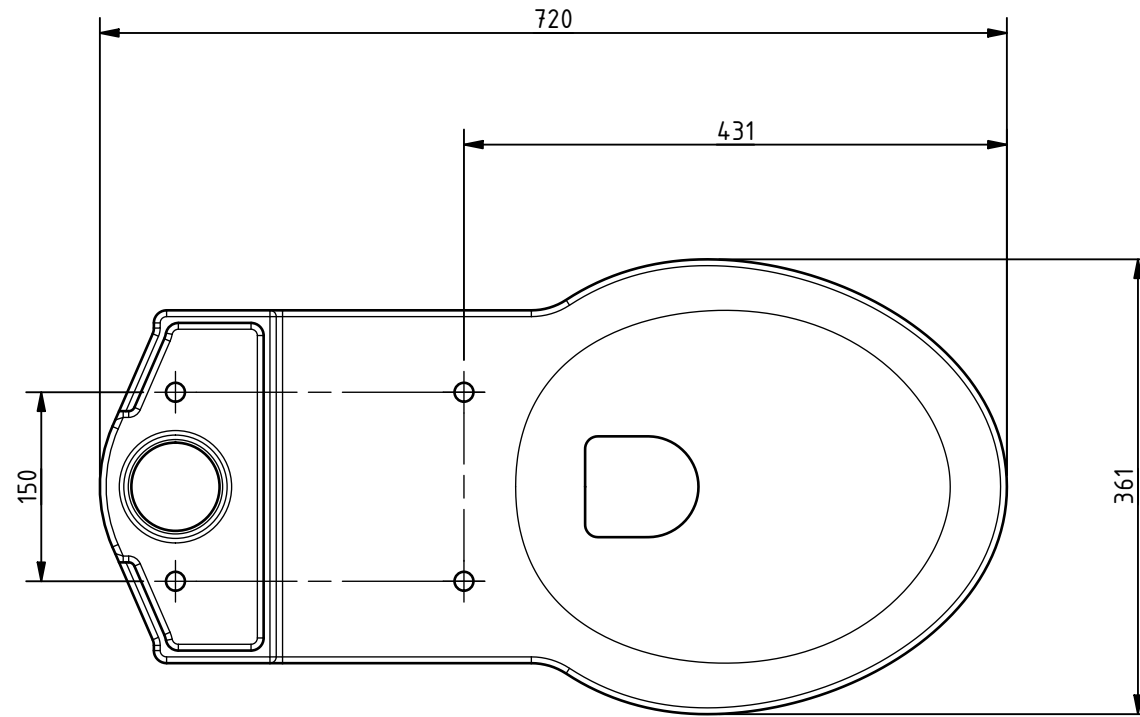


PRODUCT INFO: NY02-SW-13000 - PREMIUM RIMLESS CLOSE COUPLED DOC M PAN

ALL DIMENSIONS ARE IN mm UNLESS STATED OTHERWISE



MKT-NY02-SW-13000 REV 1

DISCLAIMER: NYMAS GROUP MAKES EVERY EFFORT TO ENSURE THAT THE INFORMATION PROVIDED ON THIS DRAWING IS CORRECT. HOWEVER, WE CANNOT GUARANTEE THIS, AND ACCEPT NO LIABILITY FOR ANY INFORMATION OR ADVICE GIVEN ON THIS DRAWING.

NYMAS GROUP