

Concealed valve Doc M shower pack with stainless steel luxury concealed fixing grab rails and slimline shower seat



Product details

Warranty:	See individual products
Max rated load:	See individual products
Doc M compliant:	Yes
Suitable for wet areas:	Yes

Features

- Complies with Part M of the Building Regulations
- Valve & diverter TMV3 & Reg 4 Certified (WRAS, NSF, Kiwa, etc.)
- Concealed valve and diverter with extended levers
- Non-corrosive concealed fixings stainless steel grab rails & hinged support rails
- Simple one box solution

Finish options



Matt black
RAL 9005



Satin
Stainless Steel



Polished
Stainless Steel

Product description

Concealed valve Doc M shower pack, stainless steel, luxury grab rails, slimline shower seat

Product code

321104/**

Replace ** with finish option code above e.g., 321104/SP

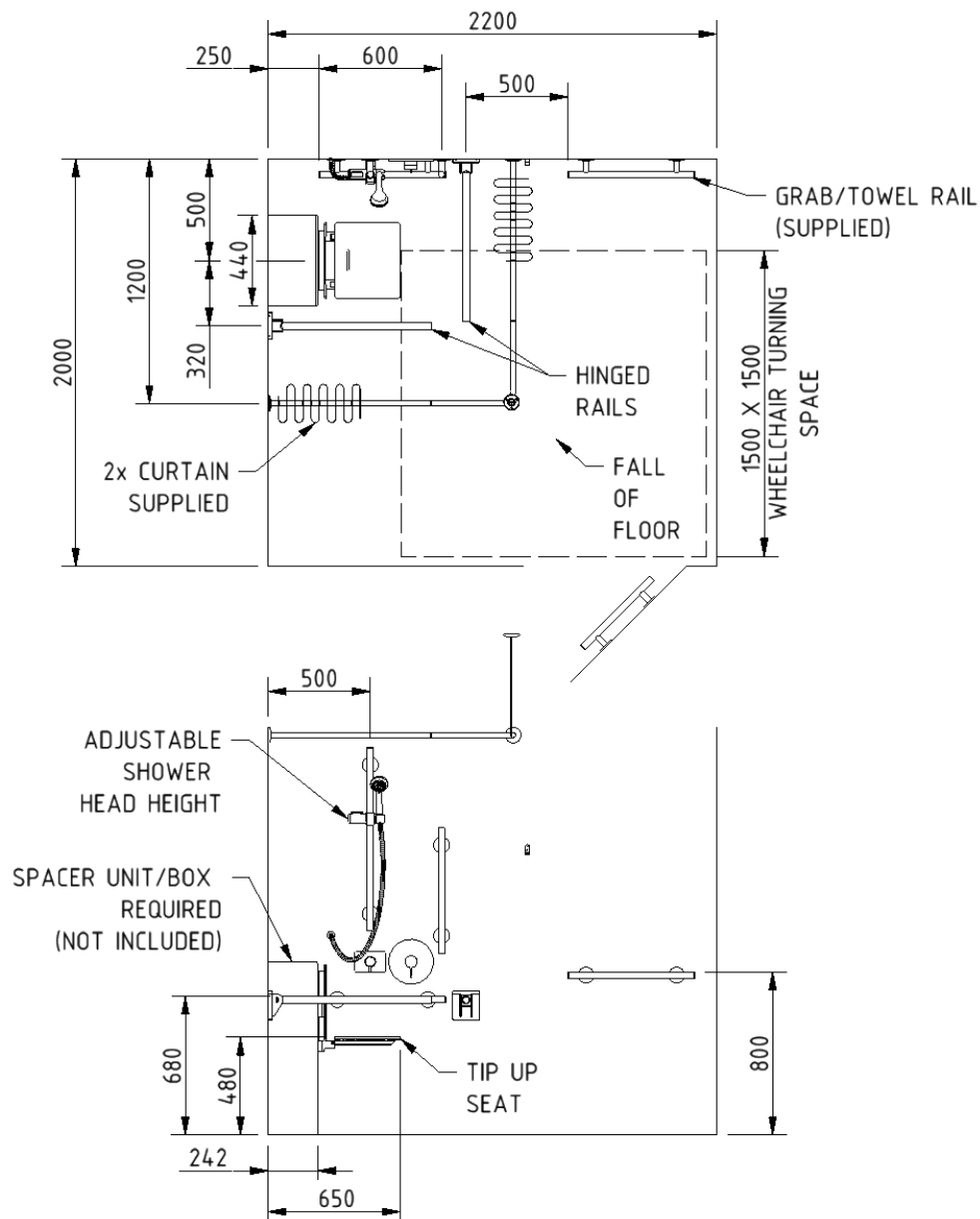
Disclaimer

NYMAS Group makes every effort to ensure that the information provided on this data sheet is correct. However, we cannot guarantee this, and accept no liability for any information or advice given on this data sheet.

Pack contents

- 1 x Slimline shower seat
- 1 x Concealed TMV3 Doc M shower valve
- 1 x Concealed Doc M shower diverter
- 1 x Antivandal overhead shower head
- 1 x Shower head and hose
- 3 x 600mm Stainless steel luxury grab rails with concealed fixings
- 1 x 450mm Stainless steel luxury grab rail with concealed fixings
- 1 x 900mm Stainless steel luxury grab rail with concealed fixings
- 2 x 800mm Stainless steel contemporary hinged support rails with concealed fixings
- 1 x 1200mm x 1200mm Stainless steel shower curtain rail
- 2 x Weighted shower curtains
- 1 x Sliding Shower head bracket
- 1 x Single robe hook

Dimensions (mm)



Concealed TMV3 shower valve and diverter kit



Product details

Warranty: 5 years

Max rated load: n/a

Doc M compliant: Yes

Suitable for wet areas: Yes

Features

- Complies with Part M of the Building Regulations
- Single sequential control for both temperature and flow
- High performance even at low pressure
- Automatic shut off in the event of hot or cold water supply failure
- Easy isolation and filter removal
- Integral thermal flushing for infection control
- Brass construction
- TMV3 approved & Reg 4 Certified (WRAS, NSF, Kiwa, etc.)

Finish options



Polished
chrome

Product description

Concealed TMV3 shower valve and diverter kit

Product code

COM-NYOPTS3650CLKIT

Pack contents

- 1x Concealed diverter
- 1x Concealed valve
- 1x Fixed shower head

Disclaimer

NYMAS Group makes every effort to ensure that the information provided on this data sheet is correct. However, we cannot guarantee this, and accept no liability for any information or advice given on this data sheet.

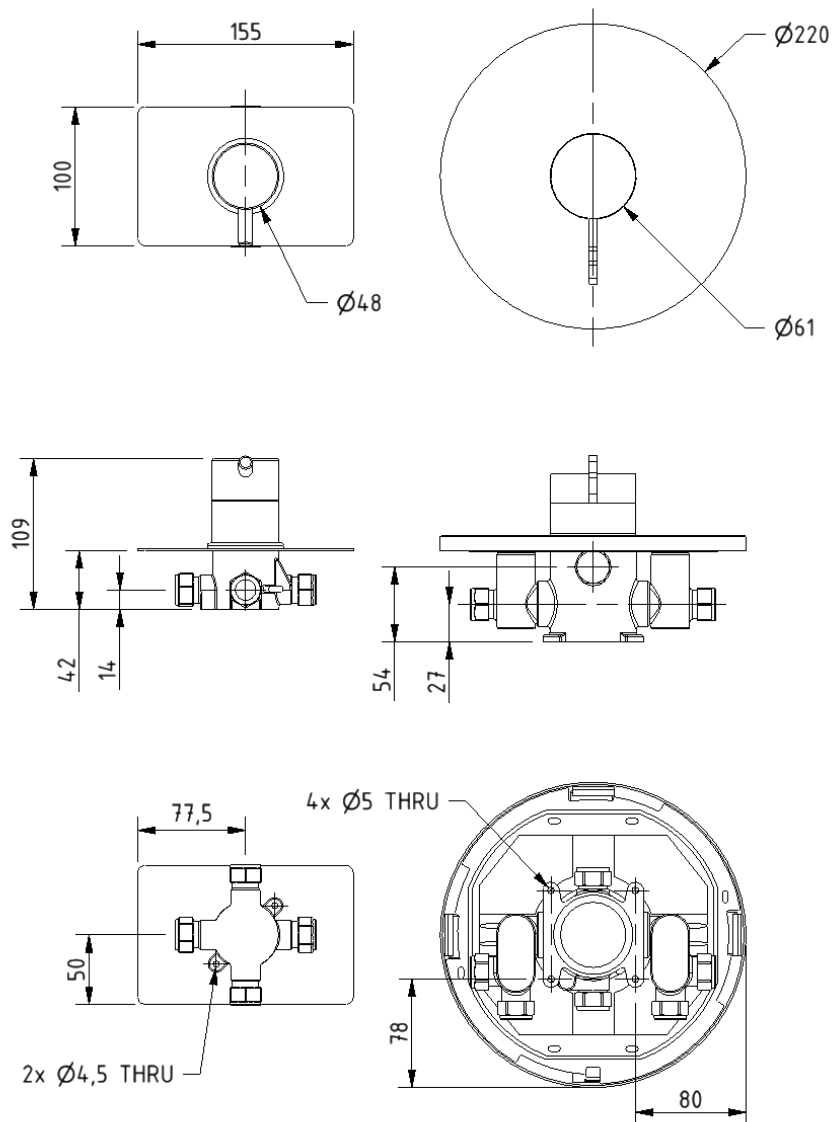
Flo rates (l/min)

System pressure (bar)	0.2	0.5	1	2	3	5
Open outlet (mixed)	3.9	6.3	6	7	7.5	8

Specification

- Maximum hot water supply temperature: 65 degrees Celsius
- Maximum static pressure: 10 bar
- Minimum dynamic pressure: 0.2 bar MIN, 5 bar MAX
- Connection inlet: 15mm compression
- Connection outlet: G 1/2"

Dimensions (mm)



Contemporary slimline wall mounted shower seat with back rest



Product details

Warranty:	5 years
Max rated load:	100 kg
Doc M compliant:	No
Suitable for wet areas:	Yes

Features

- Minimalist contemporary design
- Brushed aluminium wall mounting system
- Drainage hole in seat
- Back rest for optimum comfort
- Lift and lock hinge mechanism

Finish options



Black
RAL 9005



White
RAL 9016

Product description

Contemporary slimline shower seat, back rest, black
Contemporary slimline shower seat, back rest, white

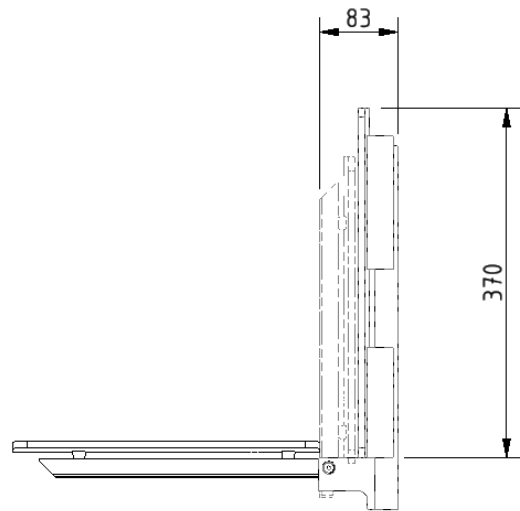
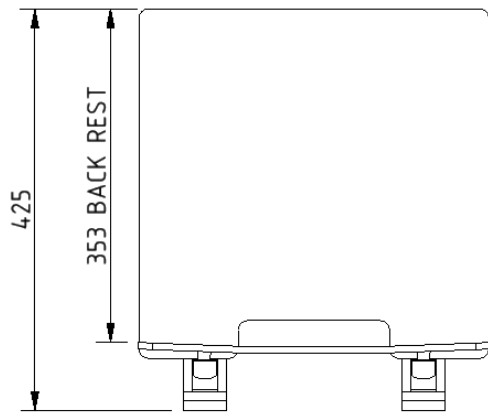
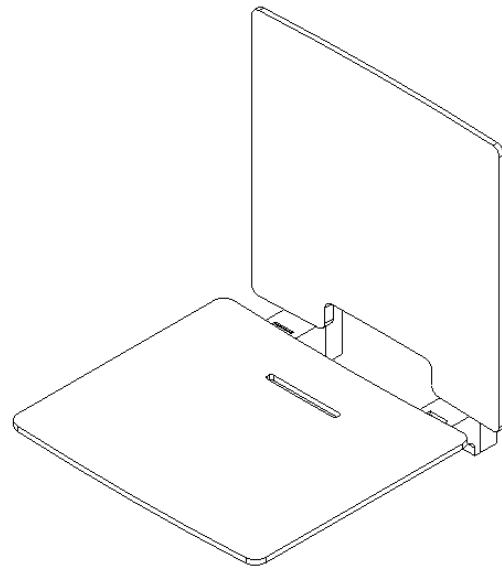
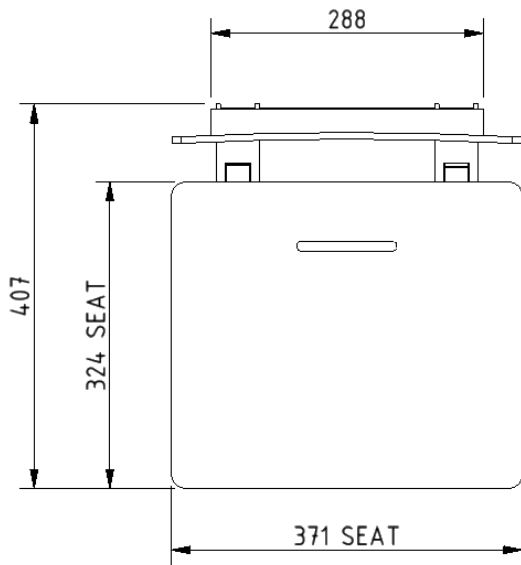
Product code

331003/BL
331003/WH

Disclaimer

NYMAS Group makes every effort to ensure that the information provided on this data sheet is correct. However, we cannot guarantee this, and accept no liability for any information or advice given on this data sheet.

Dimensions (mm)



Luxury straight stainless steel grab rail with concealed fixings



Product details

Warranty:	5 years
Max rated load:	200 kg
Doc M compliant:	Yes
Suitable for wet areas:	Yes

Features

- High quality stainless steel construction
- Concealed fixings
- Stylish T-bar design
- Complies with Part M of the Building Regulations

Finish options



Satin
Stainless Steel



Polished
Stainless Steel



Matt black
RAL 9005

Product description

Luxury grab rail, straight, stainless steel, concealed fixings, 355mm
Luxury grab rail, straight, stainless steel, concealed fixings, 480mm
Luxury grab rail, straight, stainless steel, concealed fixings, 620mm
Luxury grab rail, straight, stainless steel, concealed fixings, 900mm

Product code

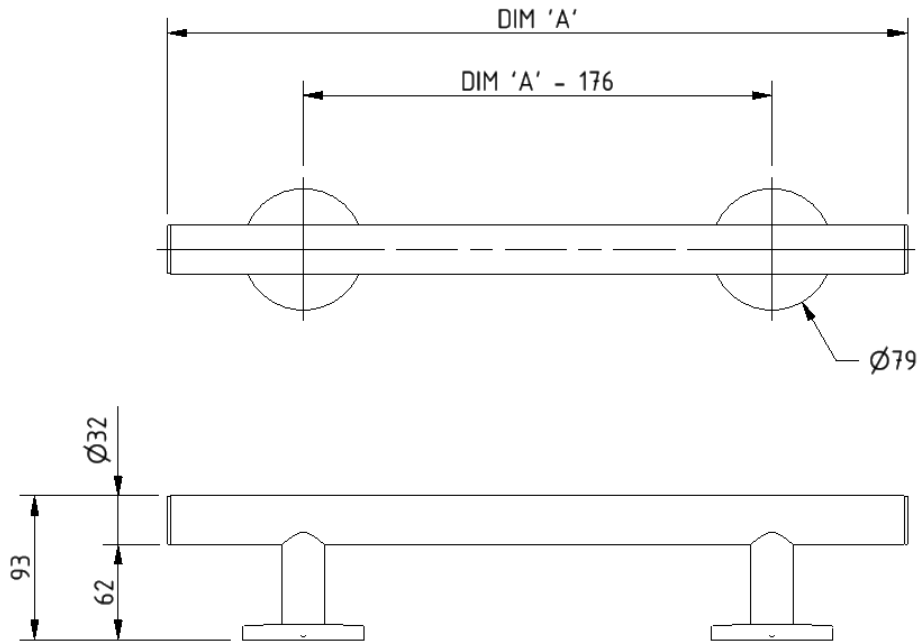
311435/**
311448/**
311462/**
311490/**

Replace ** with finish option code above e.g., 311435/SP

Disclaimer

NYMAS Group makes every effort to ensure that the information provided on this data sheet is correct. However, we cannot guarantee this, and accept no liability for any information or advice given on this data sheet.

Dimensions (mm)



PRODUCT CODE	311435/**	311448/**	311462/**	311490/**
DIM 'A'	355	480	620	900

Contemporary stainless steel single arm friction hinged rail with concealed fixing



Product details

Warranty: 5 years

Max rated load: 90 kg

Doc M compliant: Yes

Suitable for wet areas: Yes

Features

- Contemporary single arm design
- Premium friction folding mechanism
- High quality stainless steel construction
- Complies with Part M of the Building Regulations

Finish options



Satin
Stainless Steel



Polished
Stainless Steel



Matt black
RAL 9005

Product description

Contemporary single arm friction rail, stainless steel, concealed fixings

Product code

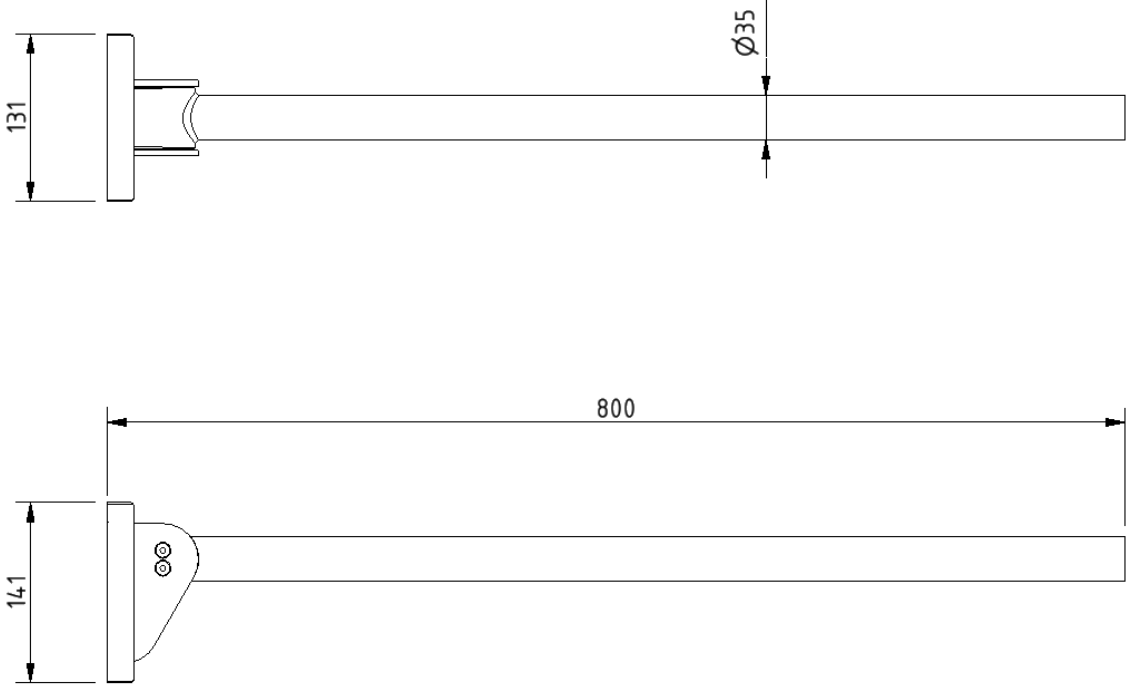
310480C/**

Replace ** with finish option code above e.g., 310480C/SP

Disclaimer

NYMAS Group makes every effort to ensure that the information provided on this data sheet is correct. However, we cannot guarantee this, and accept no liability for any information or advice given on this data sheet.

Dimensions (mm)



Stainless steel L-shaped shower curtain rail, 1200mm x 1200mm



Product details

Warranty:	5 years
Max rated load:	n/a
Doc M compliant:	Yes
Suitable for wet areas:	Yes

Features

- Tubular stainless steel construction
- Supplied with ceiling stay
- Concealed wall fixings
- Can be cut to measure on site if necessary

Finish options



WH

White
RAL 9016



SS

Satin
Stainless Steel



SP

Polished
Stainless Steel

Product description

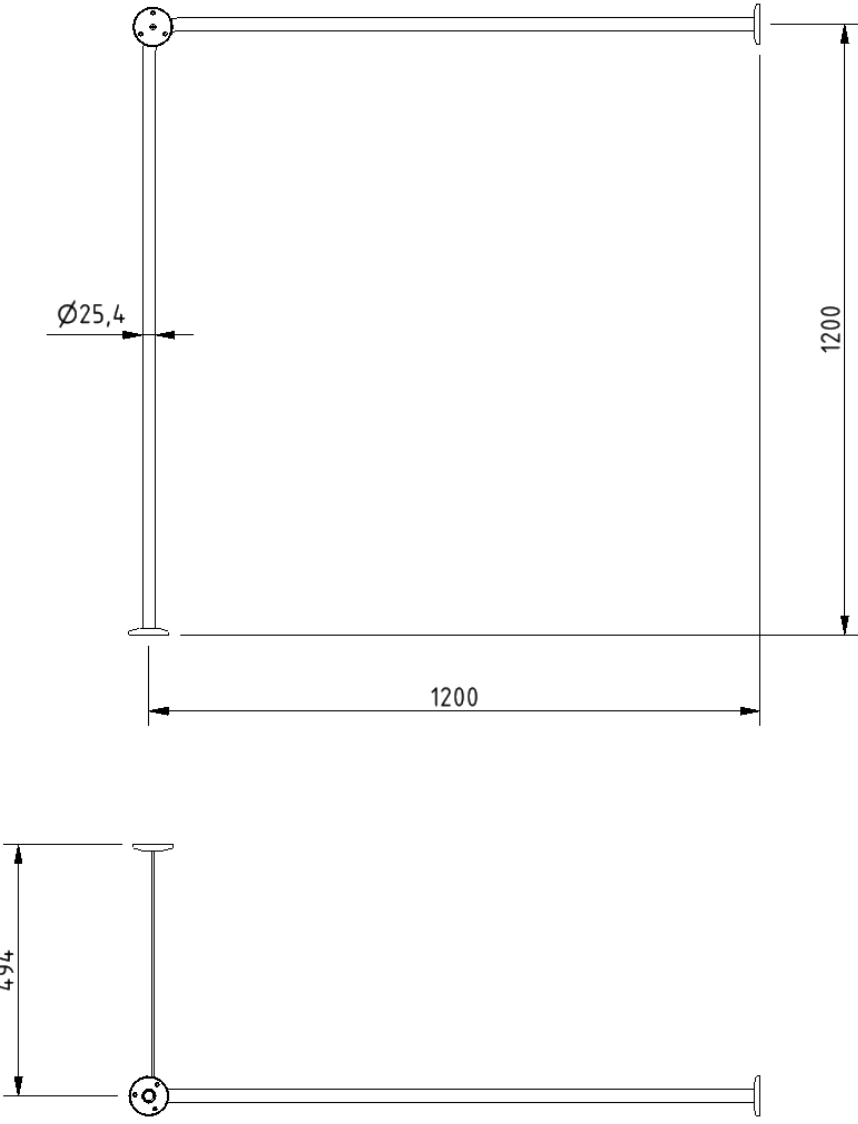
Product code

Shower curtain rail, stainless steel, L-shaped, 1200x1200mm, polished	250502/SP
Shower curtain rail, stainless steel, L-shaped, 1200x1200mm, satin	250502/SS
Shower curtain rail, stainless steel, L-shaped, 1200x1200mm, white (RAL 9016)	250502/WH

Disclaimer

NYMAS Group makes every effort to ensure that the information provided on this data sheet is correct. However, we cannot guarantee this, and accept no liability for any information or advice given on this data sheet.

Dimensions (mm)



Single aluminium robe hook



Product details

Warranty:	2 years
Max rated load:	n/a
Doc M compliant:	Yes
Suitable for wet areas:	Yes

Features

- Aluminium construction
- Colour options available for visually impaired
- Complies with Part M of the Building Regulations

Finish options

WH

White
RAL 9016

DB

Dark blue
RAL 5011

DG

Dark grey
RAL 7016

GY

Grey
RAL 7005

Product description

- Single robe hook, aluminium, dark blue (RAL 5011)
- Single robe hook, aluminium, dark grey (RAL 7016)
- Single robe hook, aluminium, grey (RAL 7005)
- Single robe hook, aluminium, white (RAL 9016)

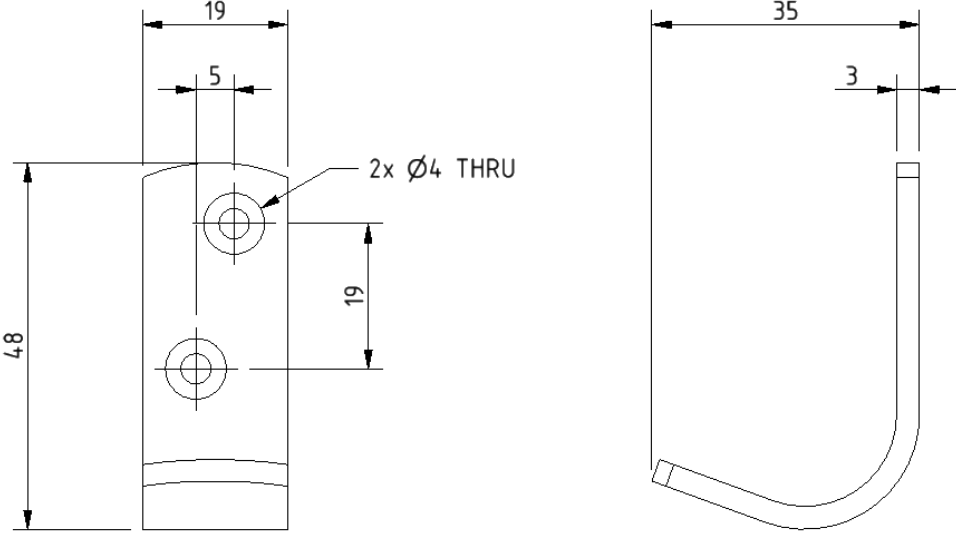
Product code

- 141701/DB
- 141701/DG
- 141701/GY
- 141701/WH

Disclaimer

NYMAS Group makes every effort to ensure that the information provided on this data sheet is correct. However, we cannot guarantee this, and accept no liability for any information or advice given on this data sheet.

Dimensions (mm)



Sliding shower head bracket



Product details

Warranty: 5 years

Max rated load: n/a

Doc M compliant: Yes

Suitable for wet areas: Yes

Features

- Complies with Part M of the Building Regulations
- Large button for easy operation for users with limited dexterity
- Suitable for use with 32mm diameter rails

Finish options



Polished
chrome

Product description

Sliding shower head bracket, for 32mm rail, chrome polished

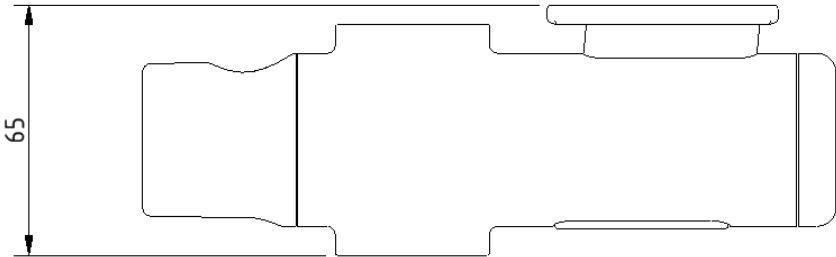
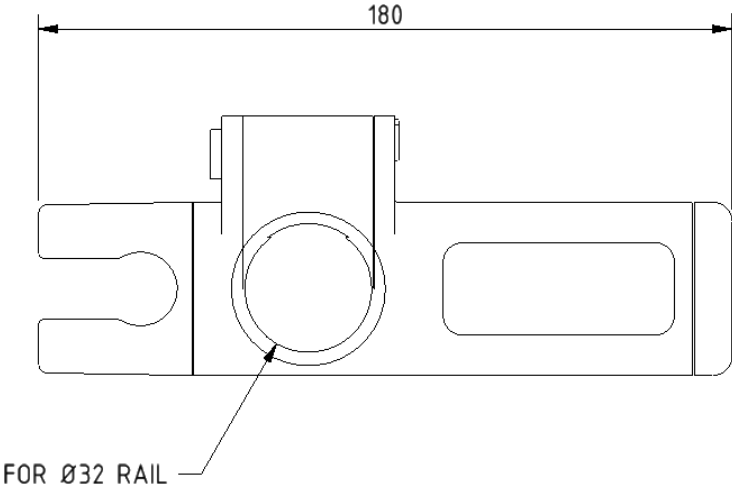
Product code

250401/CP

Disclaimer

NYMAS Group makes every effort to ensure that the information provided on this data sheet is correct. However, we cannot guarantee this, and accept no liability for any information or advice given on this data sheet.

Dimensions (mm)



Weighted polyester shower curtain



Product details

Warranty: 5 years

Doc M compliant: Yes

Suitable for wet areas: Yes

Features

- Easy clean polyester material
- Weighted curtain
- Contains 12x hooks
- Reinforced Eyelets
- Durable

Finish options

WH

White
RAL 9016

Product description

Weighted shower curtain, polyester, 1800mm x 2000mm, white (RAL 9016)

Product code

250603/WH

Disclaimer

NYMAS Group makes every effort to ensure that the information provided on this data sheet is correct. However, we cannot guarantee this, and accept no liability for any information or advice given on this data sheet.

