

**THE SMART CHOICE  
FOR HEATING AND HOT WATER**



**RANGE**

**YEARS OF QUALITY,  
INNOVATION AND ECONOMY**

**THE RIGHT  
BOILER  
FOR YOUR  
HOME**

## CONTENTS

|                              |    |
|------------------------------|----|
| Introduction                 | 4  |
| Choosing the right boiler    | 12 |
| Xclusive                     | 16 |
| Eco RF                       | 20 |
| HRE                          | 24 |
| HRE Combi                    | 26 |
| HRE SB                       | 28 |
| HRE OV                       | 30 |
| Controls                     | 32 |
| Installer Training & Support | 36 |
| Customer Support             | 38 |
| Flue Terminal Options        | 40 |
| Installer Spares             | 42 |

**INNOVATION  
PROVEN  
OVER TIME**



INTERGAS HEADQUARTERS, THE NETHERLANDS



**INTERGAS®**  
HEATING SOLUTIONS

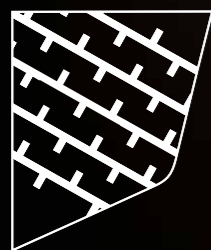


## THE GREENER CHOICE FOR HEATING AND HOT WATER

For over 50 years we've been pioneers in home-heating design and, in 1989, developed the ultimate condensing boiler. So simple yet advanced, it remains at the cutting edge of boiler technology today. And it's all thanks to our heat exchanger, which enables our boilers to condense virtually all the time, resulting in lower energy consumption and carbon emissions. The challenge today is to eliminate those emissions, and we're tackling this right now. We're trialling our hydrogen boilers and, when the infrastructure's in place, we'll be ready. The good news is that all our boilers will run on a 20% hydrogen blend, which will be here much sooner, and carbon emissions will immediately be cut by another 20%.

At the moment 75% of UK homes use gas for heating and hot water, so the change to hydrogen will be gradual. What that means is that the gas boiler you choose today should be the one that emits the least atmospheric pollution possible. Welcome to Intergas, the greener choice for heating and hot water.

**GROUND BREAKING  
TECHNOLOGY,  
INTELLIGENT  
DESIGN.**



**BITHERMIC  
HEAT  
EXCHANGER**

### **BUILT TO LAST, GUARANTEED TO DELIVER**

Is anything built to last these days? Our heat exchanger is. Made of aluminium and copper, it's as reliable as they come. So reliable that each one has a 10-year warranty\*. It's also unique; instead of having two separate heat exchangers, like the majority of competitors, ours is bithermic and with its greater surface area it enhances the boiler's ability to condense for longer. In fact, our combination boiler condenses virtually 100% of the time while it's producing hot water, and that's an energy-saving feature that's hard to beat.

\* Warranties subject to terms and conditions of each boiler model.



## SOPHISTICATED SIMPLICITY

XCLUSIVE

INTERGAS



### RELY ON LESS FOR MORE

Did you know that a faulty diverter valve is one of the top causes of boiler breakdowns? Our combination (combi) boiler doesn't have a diverter valve; it doesn't have a valve motor, auto-air vent or secondary hot water plate heat exchanger either and, with fewer parts, there's less to go wrong. Simplicity has been at the core of our design philosophy for over 30 years, which is why our boilers are renowned for their reliability.



### CLEVER THINKING

No matter how efficient a boiler is, it can be improved with the addition of OpenTherm controls. OpenTherm is a protocol that allows communication between the room thermostat and boiler, which means you have more control over your heating system. Not only is output precisely controlled, wear and tear on the boiler is reduced, increasing longevity, lowering your fuel bill and giving you even more control over your heating system. All Intergas boilers are OpenTherm compatible.

### NEVER LEAVES YOU COLD

No one wants to be without hot water, but if the pump in the boiler fails, you will be, unless you have an Intergas combi. All our combis have a separate circuit for direct hot water so, should the pump stop working, you'll still have hot water.



The Energy Saving Trust (EST) is an independent organisation committed to helping all of us save energy and lower emissions. It empowers millions of householders every year to make better energy choices. The EST endorses our best-selling HRE and Eco RF boiler ranges.



# BETTER FOR THE PLANET



## FUTUREPROOF, FLEXIBLE BOILER

If your boiler is perfect for your property now, what about later, when you add an extension, install a shower room, need more radiators? Should your heat and hot water needs change, you won't have to change your Intergas boiler, as each one has built-in flexibility. They can easily be reconfigured from, say, a combi to a system boiler; in fact, our HRE and Eco RF combis can also be converted to an open vent and open-vent combi, or a multipoint water heater. And, don't forget, when hydrogen becomes available as a 20% blend, carbon emissions will be reduced by another 20%. Just look for the H2GO symbol on our boilers.

Flexible and futureproof, an Intergas boiler would be an invaluable asset for years.

**LOWEST  
NOx  
LEVELS  
ON THE  
MARKET**

\* Between 17-06-20.33mg/kWh depending on the model.

We all have our part to play in protecting our planet and one of the best things we can do is ensure that our home's insulation is up to standard. This will not only avoid wasting energy, it will also lower carbon emissions. But it's not only carbon emissions that are harmful, so too are emissions of nitrogen oxides, or NOx, mainly from transport and home heating.

NOx is a pollutant that irritates the airways and can lead to respiratory diseases like asthma. At Intergas we are always exploring new ways of making our boilers cleaner and leaner and have developed a boiler with the lowest NOx emissions on the market. Our Xclusive range of boilers, launched in 2017, has the lowest NOx emissions\* of any boiler on the market.

## CHOOSING THE RIGHT BOILER

There are three kinds of boiler: combi, system and heat-only (sometimes called a 'regular' or 'open-vent') boiler. More combis are installed in the UK than any other kind, but that doesn't mean it's the right choice for every home. The size of your property, the number of radiators and bathrooms and what you and your family need from your heating and hot water system, must all be taken into account. Your installer will be able to advise you on which boiler is right for you, as will our team on the Intergas Helpdesk. Here's an outline of the benefits of each boiler type.



## COMBI



### Combination Boiler

A combi combines a high-efficiency water heater with a central heating boiler in a single compact unit. As hot water is supplied directly from the boiler, there's no need for a hot water cylinder in the airing cupboard or loft, making it the ideal solution for a home with limited space. And, as combis only heat the water as you need it, it's an economical way of enjoying a constant supply of hot water.

## SYSTEM



HRE SB



BOILER

CYLINDER

### System Boiler

A system boiler is a heat-only boiler that has a built-in pump and expansion vessel. This boiler is usually specified for larger homes with multiple bathrooms and is often used with an unvented hot water cylinder to facilitate the higher demands.

## OPEN VENT



HRE OV



BOILER

CYLINDER

FEED TANK

### Heat-only Boiler

An open-vent boiler is a heat-only boiler that has no integral pump or expansion vessel. It is specifically designed for the replacement market, where a header tank is used. This boiler is usually specified for larger homes with multiple bathrooms and is used with an open-vented hot water cylinder and cold feed water tank.



**XCLUSIVE**  
A NEW LEVEL OF EFFICIENCY



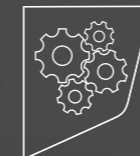
**CUTTING-EDGE  
ENERGY  
EFFICIENCY**



Our Xclusive boiler is Xclusive by name and exclusive by nature. The latest addition to our range of high-efficiency boilers retains all the benefits of the original design engineering and is packed with many new energy-saving features. The radio frequency (RF) module, which comes as standard, allows you to manage your central heating remotely when it's paired with our Intergas Gateway and ComfortTouch app. Your installer can also monitor your boiler's performance remotely, using the Intergas Service Dashboard, to ensure optimum efficiency is maintained at all times. The OpenTherm input enables your boiler and room thermostat to communicate intelligently, so the whole heating system reacts faster, using less energy and saving you money. The modulation ratio of up to 1:9 further increases the efficiency of the boiler. On top of all that, there's a 10-year parts and labour warranty too\*.

\* Warranties subject to terms and conditions of each boiler model.

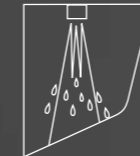
**XCLUSIVE** 24 30 36



4 MOVING PARTS



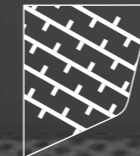
COMFORT TOUCH APP



FAST FLOW RATE



FROST PROTECTION



BITHERMIC HEAT EXCHANGER



TOUCH SCREEN

**2** EXTRA YEARS' WARRANTY  
WHEN YOU INSTALL AN INTERGAS FILTER



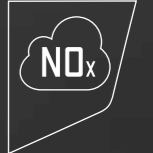
**10** YEAR WARRANTY



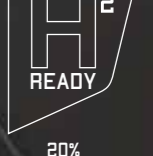
HEAT EXCHANGER WARRANTY



CONDENSES VIRTUALLY 100% DURING DHW



LOW NOx EMISSIONS



20% HYDROGEN BLEND READY

Choice of controls - see page 32 for more details



GATEWAY



HONEYWELL ROUND



COMFORT TOUCH



WISER HIT ONE



WISER MULTI-ZONE HIT ONE

# XCLUSIVE

A NEW LEVEL OF EFFICIENCY



## Technical features

- > OpenTherm ready
- > 1:9 modulation ratio
- > Built-in filling loop
- > Combined PRV & condensate connection
- > Integral expansion vessel
- > Central flue
- > RF module for remote access and control via the service dashboard (with Intergas Gateway)
- > Up to 10m flueing distance or 50m with our twin flue option
- > Easy to service and maintain
- > LPG conversion available
- > Built-in programmer
- > Exceptional flow rate 10.2-13.5 l/min
- > Priority domestic hot water (additional set up required)

## EFFICIENCY RATINGS



## Three-in-One boiler

- > Combi
- > System
- > Multipoint water heater

## XCLUSIVE

24

30

36

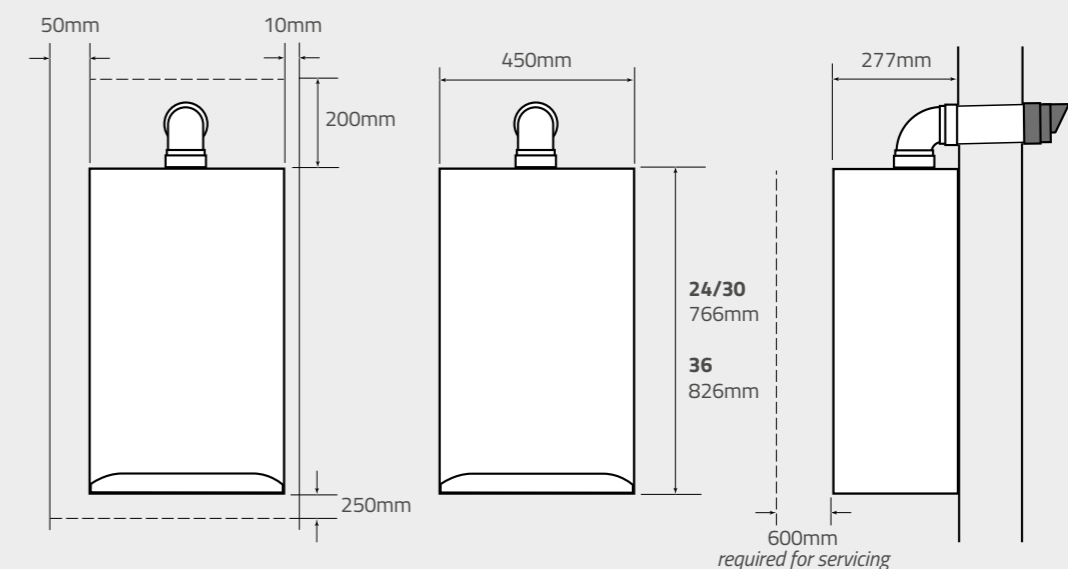
|  |                     |            |            |            |
|--|---------------------|------------|------------|------------|
| Heating rated output                     | kW                  | 18         | 23         | 27         |
| Safety class                             | IP                  | IP44       | IP44       | IP44       |
| NOx class                                |                     | 6          | 6          | 6          |
| NOx level                                | mg/kWh              | 17.06      | 20.33      | 19.48      |
| <b>Domestic hot water</b>                |                     |            |            |            |
| Nom. load input rating                   | kW                  | 3.6 - 25.1 | 3.6 - 30.5 | 3.6 - 32.7 |
| Min. DHW flow rate                       | ltrs/min            | 1.5        | 1.5        | 1.5        |
| ΔT 25°C                                  | ltrs/min            | 14.3       | 17.4       | 18.7       |
| ΔT 35°C                                  | ltrs/min            | 10.2       | 12.4       | 13.5       |
| Domestic hot water temperature (default) | °C                  | 55         | 55         | 55         |
| Load profile                             |                     | L          | XL         | XL         |
| Energy efficiency rating class           |                     | A          | A          | A          |
| <b>Central heating</b>                   |                     |            |            |            |
| Nom. load (Gross)                        | kW                  | 4.0 - 20.7 | 4.0 - 25.6 | 4.0 - 29.5 |
| Nom. load (Net)*                         | kW                  | 3.6 - 18.7 | 3.6 - 23.7 | 3.6 - 27.0 |
| Rated power*                             | kW                  | 4.0 - 18.2 | 4.0 - 23.1 | 4.0 - 26.6 |
| Max. central heating water pressure      | bar                 | 2.5        | 2.5        | 2.5        |
| Max. central heating water temperature   | °C                  | 80         | 80         | 80         |
| Energy efficiency rating class           |                     | A          | A          | A          |
| <b>Additional data</b>                   |                     |            |            |            |
| Solar compatible                         |                     | yes        | yes        | yes        |
| Seasonal heating energy efficiency class |                     | A          | A          | A          |
| Heat rated output (power)                | P rated kW          | 18         | 23         | 27         |
| Seasonal heating energy efficiency       | ηs %                | 93         | 93         | 93         |
| Annual energy consumption                | Q <sub>HE</sub> GJ  | 38         | 48         | 58         |
| Sound power level                        | L <sub>WA</sub> dB  | 56         | 52         | 58         |
| Maximum load profile                     |                     | L          | XL         | XL         |
| Water heating energy efficiency class    |                     | A          | A          | A          |
| Water heating energy efficiency          | η <sub>WH</sub> %   | 85         | 86         | 87         |
| Annual electricity consumption           | A <sub>ec</sub> kWh | 13         | 17         | 15         |
| Annual fuel consumption                  | A <sub>fc</sub> kWh | 3078       | 4998       | 4930       |

\* The CH output is factory set to 70% of the maximum capacity.

See page 40 for all flue options.

Technical specifications subject to change.

## CLEARANCES & DIMENSIONS



**ECO RF**  
COMPACT EFFICIENCY



**MINIMUM EMISSIONS,  
MAXIMUM SAVINGS**



**Compact efficiency**

The Eco RF is compact, green and smart. It reduces CO<sub>2</sub> emission levels to an absolute minimum and, with the radio frequency (RF) module, which comes as standard, you can manage your central heating remotely when its paired with our Intergas Gateway and ComfortTouch thermostat and app. Your installer can also monitor your boiler's performance remotely, using the Intergas Service Dashboard, to ensure optimum efficiency is maintained at all times. This boiler is endorsed by the EST and comes with a 10-year parts and labour warranty\*.

\* Warranties subject to terms and conditions of each boiler model.

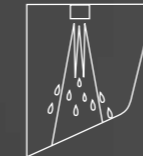
**ECO RF 24 30 36**



4 MOVING PARTS



COMFORT TOUCH APP



FAST FLOW RATE



FROST PROTECTION



WHISPER QUIET



PIPE COVER

**2 EXTRA YEARS' WARRANTY**  
WHEN YOU INSTALL AN INTERGAS FILTER



**10 YEAR WARRANTY**



HEAT EXCHANGER WARRANTY



CONDENSES VIRTUALLY 100% DURING DHW



BITHERMIC HEAT EXCHANGER



20% HYDROGEN BLEND READY

Choice of controls - see page 32 for more details



GATEWAY



HONEYWELL ROUND



COMFORT TOUCH



WISIR HIT ONE



WISIR MULTI-ZONE HIT ONE

# ECO RF

COMPACT EFFICIENCY



## Technical features

- > OpenTherm ready
- > RF module for remote access and control via the Service dashboard (with Intergas Gateway)
- > Up to 10m flueing distance or 50m with our twin flue option
- > Easy to service and maintain
- > LPG conversion available
- > Rear jig with built-in expansion vessel available as an option (jig depth 95mm added to boiler depth)
- > Digital system pressure gauge
- > Priority domestic hot water (additional set up required)

## EFFICIENCY RATINGS



## Five-in-One boiler

- > Combi
- > Open vent
- > System
- > Open-vent combi
- > Multipoint water heater

## ECO RF

24

30

36

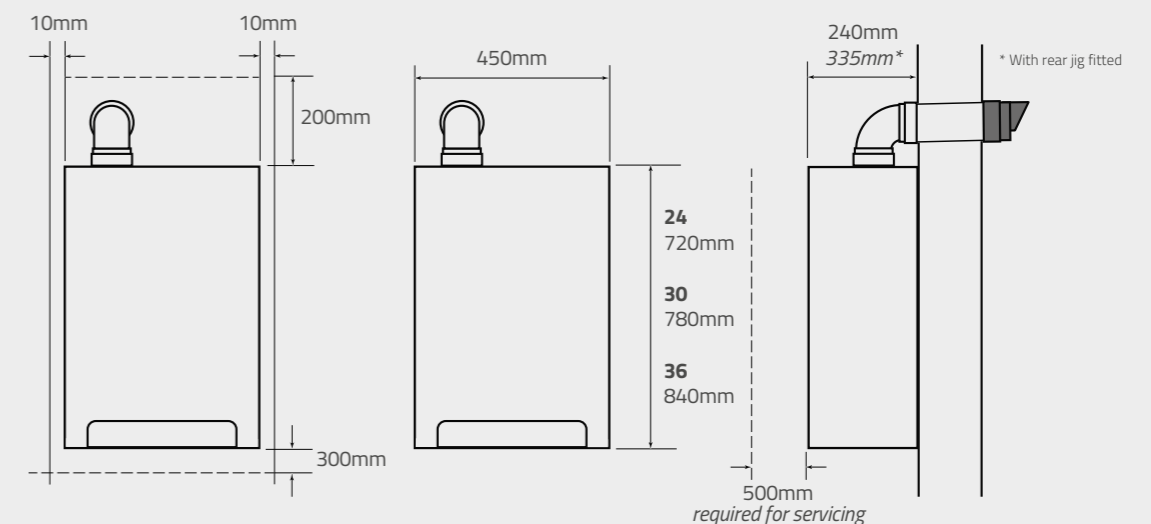
|  |                     |            |            |            |
|--|---------------------|------------|------------|------------|
| Heating rated output                     | kW                  | 18         | 23         | 27         |
| Safety class                             | IP                  | IP44       | IP44       | IP44       |
| NOx class                                |                     | 6          | 6          | 6          |
| NOx level                                | mg/kWh              | 28.37      | 27.37      | 35.56      |
| <b>Domestic hot water</b>                |                     |            |            |            |
| Input                                    | kW                  | 5.6 - 22.1 | 7.1 - 28.0 | 7.6 - 32.7 |
| Min. DHW flow rate                       | ltrs/min            | 1.5        | 1.5        | 1.5        |
| ΔT 25°C                                  | ltrs/min            | 12.6       | 16         | 18.7       |
| ΔT 35°C                                  | ltrs/min            | 9          | 11.4       | 13.4       |
| DHW temperature (factory setting)        | °C                  | 55         | 55         | 55         |
| Load profile                             |                     | L          | XL         | XL         |
| Energy efficiency class rating           |                     | A          | A          | A          |
| <b>Central heating</b>                   |                     |            |            |            |
| Nom. input rating (lower value)*         | kW                  | 5.6 - 18.7 | 7.1 - 23.7 | 7.6 - 27.0 |
| Rated power*                             | kW                  | 6.5 - 18.2 | 7.7 - 23.1 | 8.2 - 26.6 |
| Max. central heating water pressure      | bar                 | 2.5        | 2.5        | 2.5        |
| Max. central heating water temperature   | °C                  | 80         | 80         | 80         |
| Energy efficiency class rating           |                     | A          | A          | A          |
| <b>Additional data</b>                   |                     |            |            |            |
| Solar compatible                         |                     | yes        | yes        | yes        |
| Seasonal heating energy efficiency class |                     | A          | A          | A          |
| Heat rated output (power)                | P rated kW          | 18         | 23         | 27         |
| Seasonal heating energy efficiency       | ηs %                | 93         | 93         | 93         |
| Annual energy consumption                | Q <sub>HE</sub> GJ  | 38         | 48         | 55         |
| Sound power level                        | L <sub>WA</sub> dB  | 45         | 45         | 50         |
| Maximum load profile                     |                     | L          | XL         | XL         |
| Water heating energy efficiency          | η <sub>WH</sub> %   | 84         | 86         | 87         |
| Annual electricity consumption           | A <sub>ec</sub> kWh | 13         | 17         | 15         |
| Annual fuel consumption                  | A <sub>fc</sub> kWh | 3159       | 4998       | 4930       |

\* The CH output is factory set to 70% of the maximum capacity.

See page 40 for all flue options. Please note, an offset flue should be used if a centralised position is required.

Technical specifications subject to change.

## CLEARANCES & DIMENSIONS



# HRE RANGE

GIVING YOU MORE SPACE



## THE SMART CHOICE ALL ROUND



The HRE range of boilers has been an outstanding favourite with homeowners and installers alike. It's robust, it's compact, it's highly efficient and it's very flexible too. With a simple change to its parameter settings, it can be converted from a combi to a system boiler, open vent, open-vent combi and multipoint water heater. It's endorsed by the EST and comes with a 7-year parts and labour warranty\*.

\* Warranties subject to terms and conditions of each boiler model.

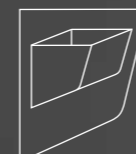
# HRE



4 MOVING PARTS



FROST PROTECTION



PIPE COVER



HIGH EFFICIENCY

CONDENSES VIRTUALLY 100% DURING DHW



**2 EXTRA YEARS' WARRANTY** WHEN YOU INSTALL AN INTERGAS FILTER

**7 YEAR WARRANTY**



HEAT EXCHANGER WARRANTY



BITHERMIC HEAT EXCHANGER



20% HYDROGEN BLEND READY

### Choice of controls - see page 32 for more details

HRE COMBI



WISER HIT ONE



WISER MULTI-ZONE HIT ONE



COMFORT TOUCH

SB & OV



WISER HIT TWO



WISER MULTI-ZONE HIT TWO



COMFORT TOUCH

# HRE COMBI

GIVING YOU MORE SPACE



## Technical features

- > OpenTherm ready
- > Up to 10m flueing distance or 50m with our twin flue option
- > Easy to service and maintain
- > LPG conversion available
- > Up to 40kW output
- > Built-in programmer
- > Rear jig with built-in expansion vessel available as an option (jig depth 95mm added to boiler depth)
- > Digital system pressure gauge
- > Priority domestic hot water (additional set up required)

## EFFICIENCY RATINGS



## Five-in-One boiler

- > Combi
- > Open vent
- > System
- > Open-vent combi
- > Multipoint water heater

## HRE COMBI

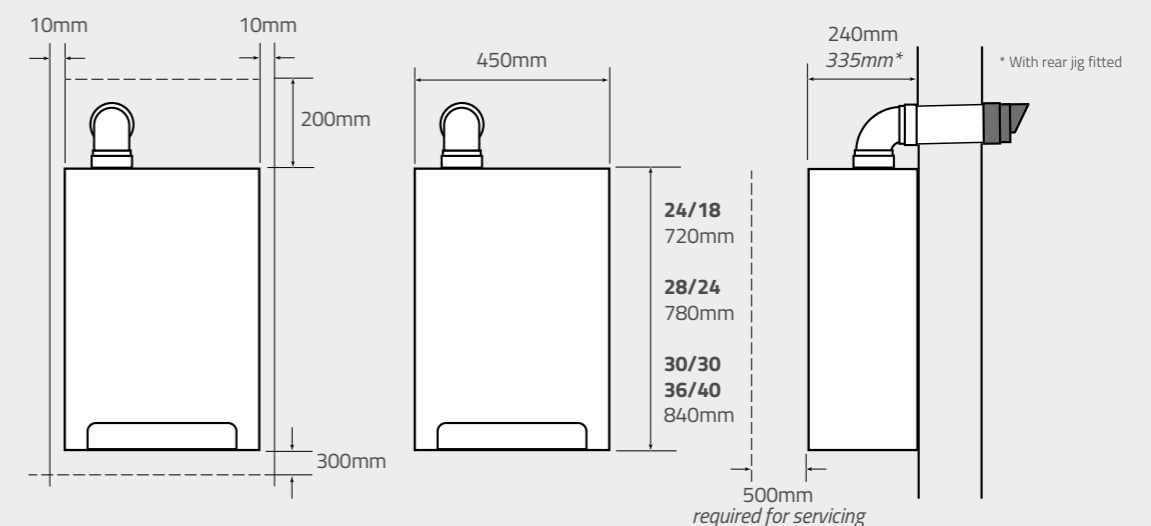
24/18 28/24 36/30 36/40

|  |                     |            |            |            |            |
|--|---------------------|------------|------------|------------|------------|
| Rated output                             |                     | 18         | 23         | 27         | 41         |
| Safety class                             | IP                  | IP44       | IP44       | IP44       | IP44       |
| NOx class                                |                     | 6          | 6          | 6          | 6          |
| NOx level                                | mg/kWh              | 28.37      | 27.37      | 35.56      | 53.44      |
| <b>Domestic hot water</b>                |                     |            |            |            |            |
| Input                                    | kW                  | 5.6 - 22.1 | 7.1 - 28.0 | 7.6 - 32.7 | 7.8 - 32.7 |
| Min. DHW flow rate                       | ltrs/min            | 1.5        | 1.5        | 1.5        | 1.5        |
| ΔT 25°C                                  | ltrs/min            | 12.6       | 16         | 18.7       | 18.7       |
| ΔT 35°C*                                 | ltrs/min            | 9.0        | 11.4       | 13.4       | 13.4       |
| DHW temperature (default)                | °C                  | 55         | 55         | 55         | 55         |
| Load profile                             |                     | L          | XL         | XL         | XL         |
| Energy efficiency class rating           |                     | A          | A          | A          | A          |
| <b>Central heating</b>                   |                     |            |            |            |            |
| Nom. input rating (lower value)*         | kW                  | 5.6 - 18.7 | 7.1 - 23.7 | 7.6 - 27.0 | 7.8 - 42.5 |
| Rated power*                             | kW                  | 6.1 - 18.2 | 7.7 - 23.1 | 8.2 - 26.6 | 8.3 - 40.9 |
| Max. central heating water pressure      | bar                 | 2.5        | 2.5        | 2.5        | 2.5        |
| Max. central heating water temperature   | °C                  | 80         | 80         | 80         | 80         |
| Energy efficiency rating class           |                     | A          | A          | A          | A          |
| <b>Additional data</b>                   |                     |            |            |            |            |
| Seasonal heating energy efficiency class |                     | A          | A          | A          | A          |
| Heat rated output (power)                | P rated kW          | 18         | 23         | 27         | 41         |
| Solar compatible                         |                     | yes        | yes        | yes        | yes        |
| Seasonal heating energy efficiency       | η <sub>s</sub> %    | 93         | 93         | 93         | 92         |
| Annual energy consumption                | Q <sub>HE</sub> GJ  | 38         | 48         | 55         | 86         |
| Sound power level                        | L <sub>WA</sub> dB  | 45         | 45         | 50         | 55         |
| Maximum load profile                     |                     | L          | XL         | XL         | XL         |
| Water heating energy efficiency          | η <sub>WH</sub> %   | 84         | 86         | 87         | 87         |
| Annual electricity consumption           | A <sub>ec</sub> kWh | 13         | 17         | 15         | 1615       |
| Annual fuel consumption                  | A <sub>fc</sub> kWh | 3159       | 4998       | 4930       | 4930       |

\* The CH output is factory set to 70% of the maximum capacity.

Intergas has a wide range of vertical and horizontal flues; there is also an offset flue kit available which will ensure the flue is in a centralised position. Technical specifications subject to change.

## CLEARANCES & DIMENSIONS



# HRE SB

FLEXIBLE HEATING



## Technical features

- > OpenTherm ready
- > Up to 10m flueing distance or 50m with our twin flue option
- > Easy to service and maintain
- > LPG conversion available
- > Up to 40kW output
- > Rear jig with built-in expansion vessel available as an option (jig depth 95mm added to boiler depth)
- > Digital system pressure gauge
- > Priority domestic hot water (additional set up required)

### EFFICIENCY RATING



## HRE SB

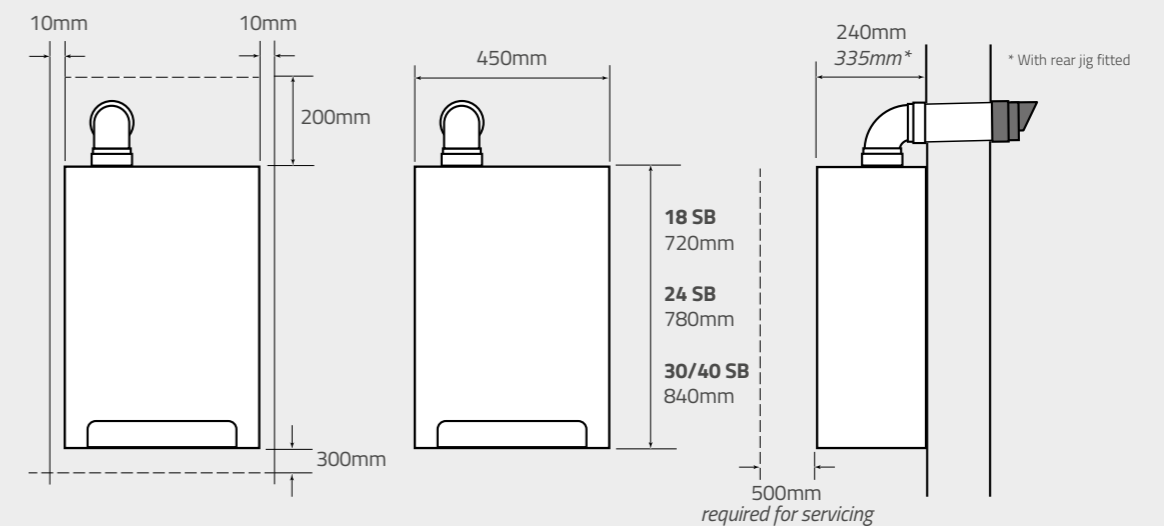
18 24 30 40

|  |                     |            |            |            |            |
|--|---------------------|------------|------------|------------|------------|
| Rated output                             |                     | 18         | 23         | 27         | 41         |
| Safety class                             | IP                  | IP44       | IP44       | IP44       | IP44       |
| NOx class                                |                     | 6          | 6          | 6          | 6          |
| NOx level                                | mg/kWh              | 28.37      | 27.37      | 35.56      | 53.44      |
| <b>Central heating</b>                   |                     |            |            |            |            |
| Nom. input rating (lower value)          | kW                  | 5.6 - 18.7 | 7.1 - 23.7 | 7.5 - 27.0 | 7.8 - 42.5 |
| Rated power*                             | kW                  | 6.1 - 18.2 | 7.7 - 23.1 | 8.2 - 26.6 | 8.3 - 40.9 |
| Max. central heating water pressure      | bar                 | 2.5        | 2.5        | 2.5        | 2.5        |
| Max. central heating water temperature   | °C                  | 80         | 80         | 80         | 80         |
| Energy efficiency rating class           |                     | A          | A          | A          | A          |
| <b>Additional data</b>                   |                     |            |            |            |            |
| Seasonal heating energy efficiency class |                     | A          | A          | A          | A          |
| Heat rated output (power)                | P rated kW          | 18         | 23         | 27         | 41         |
| Seasonal heating energy efficiency       | η <sub>s</sub> %    | 93         | 93         | 93         | 92         |
| Annual energy consumption                | Q <sub>HE</sub> GJ  | 38         | 48         | 55         | 86         |
| Sound power level                        | L <sub>WA</sub> dB  | 45         | 45         | 50         | 55         |
| Annual electricity consumption           | A <sub>ec</sub> kWh | 13         | 17         | 15         | 15         |
| Annual fuel consumption                  | A <sub>fc</sub> kWh | 3159       | 4998       | 4930       | 4930       |

\* The CH output is factory set to 70% of the maximum capacity.

Intergas has a wide range of vertical and horizontal flues; there is also an offset flue kit available which will ensure the flue is in a centralised position. Technical specifications subject to change.

## CLEARANCES & DIMENSIONS



# HRE OV

PERFECT REPLACEMENT



## Technical features

- > OpenTherm ready
- > Up to 10m flueing distance or 50m with our twin flue option
- > Easy to service and maintain
- > LPG conversion available
- > Up to 27kW Output
- > Priority domestic hot water (additional set up required)

### EFFICIENCY RATING



## HRE OV

18

24

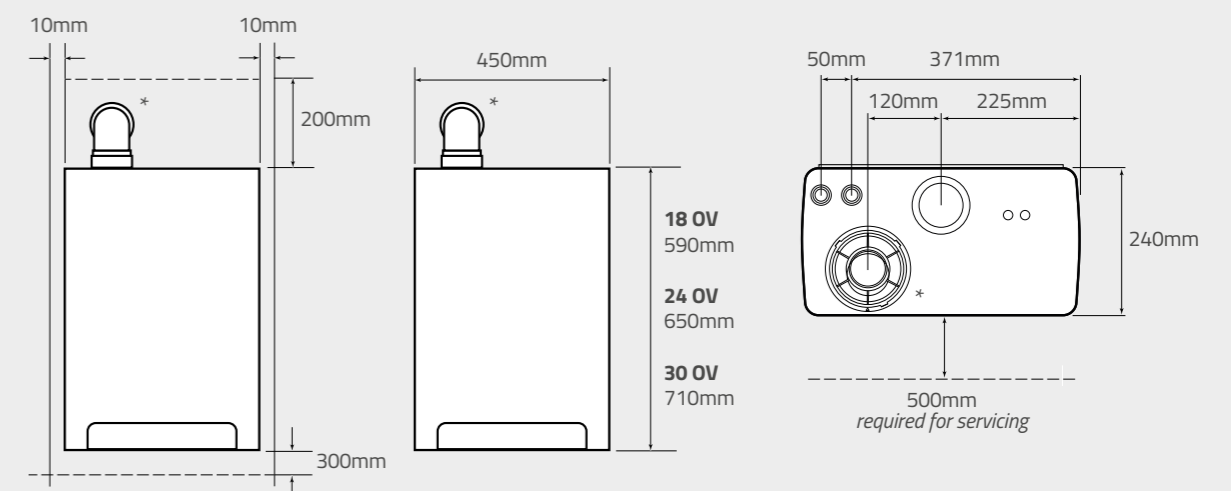
30

|  |                     |            |            |            |
|--|---------------------|------------|------------|------------|
| Rated output                             |                     | 18         | 23         | 27         |
| Safety class                             | IP                  | IP44       | IP44       | IP44       |
| NOx class                                |                     | 6          | 6          | 6          |
| NOx level                                | mg/kWh              | 28.37      | 27.37      | 35.56      |
| <b>Central heating</b>                   |                     |            |            |            |
| Nom. input rating (lower value)*         | kW                  | 5.6 - 18.7 | 7.1 - 23.7 | 7.6 - 27.0 |
| Rated power*                             | kW                  | 6.1 - 18.2 | 7.7 - 23.1 | 8.2 - 26.6 |
| Max. central heating water pressure      | bar                 | 2.5        | 2.5        | 2.5        |
| Max. central heating water temperature   | °C                  | 80         | 80         | 80         |
| Energy efficiency rating class           |                     | A          | A          | A          |
| <b>Additional data</b>                   |                     |            |            |            |
| Seasonal heating energy efficiency class |                     | A          | A          | A          |
| Heat rated output (power)                | P rated kW          | 18         | 23         | 27         |
| Seasonal heating energy efficiency       | η <sub>s</sub> %    | 93         | 93         | 93         |
| Annual energy consumption                | Q <sub>HE</sub> GJ  | 38         | 48         | 55         |
| Sound power level                        | L <sub>WA</sub> dB  | 45         | 45         | 50         |
| Annual electricity consumption           | A <sub>ec</sub> kWh | 13         | 17         | 15         |
| Annual fuel consumption                  | A <sub>fc</sub> kWh | 3159       | 4998       | 4903       |

\* The CH output is factory set to 70% of the maximum capacity.

Intergas has a wide range of vertical and horizontal flues; there is also an offset flue kit available which will ensure the flue is in a centralised position. Technical specifications subject to change.

### CLEARANCES & DIMENSIONS



\*Offset flue required to bypass flow and return pipework.



# YOU'RE ALWAYS IN CONTROL

At Intergas, we're determined to make your life as comfortable as possible! That's why we have a great range of practical and easy-to-use controls to meet your heating needs. You can choose from a straightforward single-room thermostat to a system that gives you complete control over every room in your home.



## ComfortTouch

ComfortTouch is our easily-installed wired room thermostat. Its slim (only 13mm deep), unobtrusive design, which is available in black or white, features a tactile touchscreen display. Simply tap the plus or minus icons to adjust the room temperature up or down; if you'd prefer not to show the temperature, you can adjust the settings within the thermostat.

As the ComfortTouch thermostat is OpenTherm, it will also display any boiler fault codes should they occur. This is really useful if the boiler is in a remote location, like the garage or loft.

ComfortTouch and its app can only be used with boilers in the Xclusive and Eco RF ranges which have a built-in RF module.



Honeywell Round (wireless)

## Servicing with peace of mind

Our Intergas Gateway is an ingenious control console that connects your boiler with our own servers via your Wi-Fi router, and constantly monitors boiler performance.

If any faults are detected, your installer can be notified straight away, significantly reducing the risk of a breakdown.

## Honeywell Controls

If you're looking for a simple, affordable upgrade for your existing room thermostat that will give you everything you need to guarantee accurate control of your heating system, then look no further than the Honeywell Round. This is a single zone thermostat that is available as either wired or wireless. The wireless thermostat can be paired directly with the Eco RF and Xclusive boilers, thanks to the RF module which is fitted as standard.





## Drayton Wiser

Drayton Wiser makes home personalisation more affordable. You can begin with a smart room thermostat and later create a full multi-zone system by adding smart radiator thermostats. There are four options available. The first is the wireless Wiser Room Thermostat. You can set time and temperature schedules for each day of the week and, using the Wiser app, which works with Amazon Alexa and Google Assistant, you can view the current room temperature or adjust the target temperature from the touch screen display. You can also use the boost facility to temporarily override the current target temperature.



Second, there's the Wiser Thermostat Kit 1, which provides control for a single heating zone. If you opt for the Multi-Zone Kit 1, you will not only be able to control the on/off times with the Wiser app, but also adjust each room individually when smart radiator thermostats are fitted.

Third, the Wiser Thermostat Kit 2 controls two zones - heating and hot water - separately. As with Kit 1, you can opt for the Multi-Zone Kit 2 to control the timed heating and hot water on/off periods via the Wiser app, but you can also adjust each room individually once smart radiator thermostats have been installed. Finally, the Wiser Thermostat Kit 3 adds further control for up to three heating zones.



## ENJOY EXTRA PEACE OF MIND

### Intergas System Filter for a healthy central heating system

Debris in the water can severely affect the performance of your central heating system and that's why an in-line filter must be fitted when the boiler is installed. In partnership with Fernox, we have developed the Intergas System Filter and Chemical Pack. The filter, which is made from nickel-plated brass and stainless steel and is 100% recyclable, prevents contaminants from the system entering the boiler. A bottle of Fernox FI Inhibitor and a bottle of Fernox F3 Cleaner complete the pack and, together with the filter, optimise the energy efficiency and longevity of the whole central heating system.

Whether you buy the whole pack or just the system filter, as soon as the filter's fitted and registered, we'll add another two years to the warranty, giving you up to 12 years' protection completely free.



\* Warranties subject to terms and conditions of each boiler model.



BOOK A COURSE  
ON OUR WEBSITE



## INSTALLER TRAINING & SUPPORT

### Keep your career on course

Installing and servicing Intergas boilers can only be undertaken by installers who are registered with Gas Safe and, preferably, those who have taken advantage of our intensive training courses. Training is carried out in our UK-wide, fully equipped specialist centres, and covers every aspect of installation, servicing and maintenance. We take a more hands-on approach to our training which makes each course more practical and effective.

To book your free Intergas training course give us a call on 01527 888000 or visit [www.intergasheating.co.uk/installer/support/courses/](http://www.intergasheating.co.uk/installer/support/courses/)

### Continual Technical Support

Even though our comprehensive training courses will give you all the 'know-how' you'll need, you may still have the odd question further down the line. Rest assured, our on-site Technical Support Team are always on hand to help.



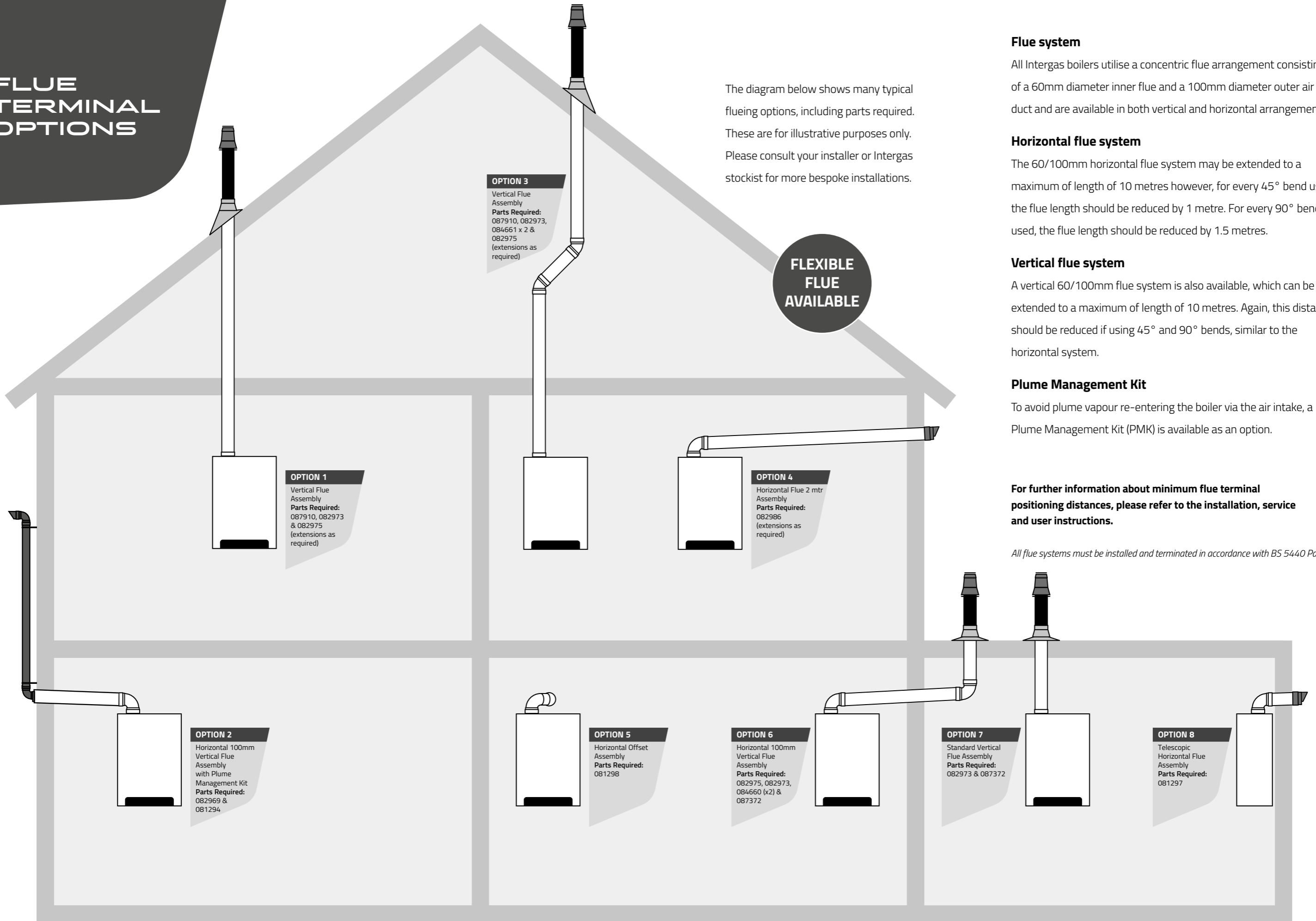
## WE'RE ALWAYS THERE FOR YOU

We believe that choosing an Intergas boiler for your heating and hot water is one of the best decisions you can make. It will look after you and your family for years to come. We're always happy to answer any questions you might have; you can Live Chat with a member of our Customer Service Team or simply give us a call on 01527 888000. For more information and to find an Intergas installer in your area, please visit [www.intergasheating.co.uk](http://www.intergasheating.co.uk)

Opening hours Monday - Friday 8.00am - 5.00pm & Saturday 8.00am - 12.00pm.



# FLUE TERMINAL OPTIONS



The diagram below shows many typical flueing options, including parts required. These are for illustrative purposes only. Please consult your installer or Intergas stockist for more bespoke installations.

## Flue system

All Intergas boilers utilise a concentric flue arrangement consisting of a 60mm diameter inner flue and a 100mm diameter outer air inlet duct and are available in both vertical and horizontal arrangements.

## Horizontal flue system

The 60/100mm horizontal flue system may be extended to a maximum of length of 10 metres however, for every 45° bend used, the flue length should be reduced by 1 metre. For every 90° bend used, the flue length should be reduced by 1.5 metres.

## Vertical flue system

A vertical 60/100mm flue system is also available, which can be extended to a maximum of length of 10 metres. Again, this distance should be reduced if using 45° and 90° bends, similar to the horizontal system.

## Plume Management Kit

To avoid plume vapour re-entering the boiler via the air intake, a Plume Management Kit (PMK) is available as an option.

**For further information about minimum flue terminal positioning distances, please refer to the installation, service and user instructions.**

*All flue systems must be installed and terminated in accordance with BS 5440 Part 1*

**OPTION 3**  
Vertical Flue Assembly  
**Parts Required:**  
087910, 082973,  
084661 x 2 &  
082975  
(extensions as required)

**OPTION 1**  
Vertical Flue Assembly  
**Parts Required:**  
087910, 082973 & 082975  
(extensions as required)

**OPTION 4**  
Horizontal Flue 2 mtr Assembly  
**Parts Required:**  
082986  
(extensions as required)

**OPTION 2**  
Horizontal 100mm Vertical Flue Assembly with Plume Management Kit  
**Parts Required:**  
082969 & 081294

**OPTION 5**  
Horizontal Offset Assembly  
**Parts Required:**  
081298

**OPTION 6**  
Horizontal 100mm Vertical Flue Assembly  
**Parts Required:**  
082975, 082973, 084660 (x2) & 087372

**OPTION 7**  
Standard Vertical Flue Assembly  
**Parts Required:**  
082973 & 087372

**OPTION 8**  
Telescopic Horizontal Flue Assembly  
**Parts Required:**  
081297

# INSTALLER SPARES

## FLUES & ACCESSORIES



Horizontal Non Telescopic Straight Wall  
0.6m Flue (600mm) **082980**  
1m Flue (1000mm) **082969**  
2m Flue (2000mm) **082986**



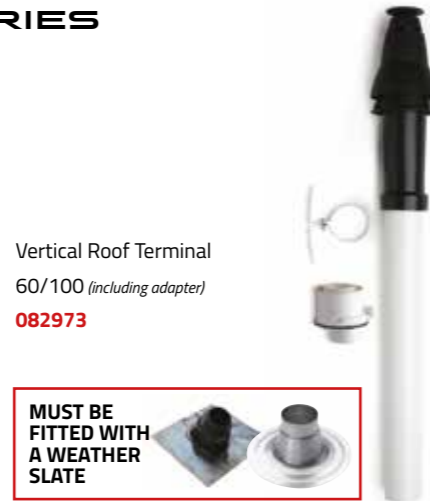
500mm Flue Extension (60/100) **082979**  
1000mm Flue Extension (60/100) **082975**  
2000mm Flue Extension (60/100) **090797**



Horizontal Telescopic Straight Wall  
Terminal (520mm) **081297**



Horizontal Telescopic Offset Wall  
Terminal Flue Kit (520mm) **081298**



Vertical Roof Terminal  
60/100 (including adapter)  
**082973**



Stand Off Bracket 24/18 Small **093186**  
Stand Off Bracket 28/24 Medium **093196**  
Stand Off Bracket 36/30 Large **093206**



Pipe/Valve Cover  
HRE  
**093217**



Pipe/Valve Cover HRE  
36/40 & SB40  
**092677**



Vertical Adaptor  
**090547**



Outside Sensor  
**203207**



45° Bend (60/100mm) x1  
**084661**



Offset Elbow x1  
**081289**



90° Bend (60/100mm) x1  
**084660**



Weather Slate (Pitched Roof)  
**087910**



Weather Slate (Flat Roof)  
**087372**

## PLUME MANAGEMENT



Balcony Kit (1000mm) **086890**



Plume Management Kit (500mm) **081294**



Plume Management Flue Extension (1000mm)  
(including wall clamp) **081286**



Plume Deflector 60°  
**081295**



PMK PP60 90°  
**081284**



PMK PP60 60°  
(2 per box)  
**081285**



## FIXING JIGS



**X-Range Jig**  
Suitable for Xtreme, Xclusive  
(all sizes)

**092114**  
(frame with valves,  
copper pipework, fixing kit &  
retaining clips)

**092104**  
(frame with fixing kit &  
retaining clips)



**Kit A Small - Rear Jig**  
ECO RF 24, HRE 24/18  
& SB18

**093187**

**Kit A Medium - Rear Jig**  
ECO RF 30, HRE 28/24  
& SB24

**093197**

**Kit A Large - Rear Jig**  
ECO RF 36, HRE 36/30 &  
HRE36/40, SB30 & SB40

**093207**



**Kit B - Robokit 12 Itr**  
(with valves) Not suitable  
for Open-vent

**090000**



**Kit C - Robokit 8 Itr**  
(with valves) Not suitable  
for Open-vent

**090100**

## ACCESSORIES & TWIN FLUES

### Extensions (white)

- 80mm x 250mm **453973**
- 80mm x 500mm **453975**
- 80mm x 1000mm **453977**
- 80mm x 2000mm **453979**

(including brackets)



Vertical Roof Terminal  
80/125 (including adapter)  
**086883**



Horizontal Wall Terminal 80/125 **076355**



Air Terminal 80 PP **082856**



80 PP Wall Bracket  
**452203**



90° Bend x2 (including brackets)  
**453992**



45° Bend x2 (including brackets)  
**453990**



**Kit 410** ECO RF 24, HRE 24/18, SB18 & OV18 **076057**

**Kit 480** ECO RF 30, HRE 28/24, SB24 & OV24 **076067**

**Kit 525** ECO RF 36, HRE 36/30, 36/40, SB30, SB40 & OV30 **076077**

**Kit 315** XCLUSIVE 24 **076047**

**Kit 370** XCLUSIVE 30/36 **076914**



Boiler Adapter 80/125  
**090767**



Weather Slate 80/125  
(Flat Roof)  
**075333**



### Flexi Flue Kit

Expander PP 60/100 **071025**

Seal Flex Viton 130 **086332**

Concentr. Flex Kit Basic 80/125 **086381**

Extension Flex PP 80/130 **086384**

Skyline Top 80/125 PP **086388**

Support Elbow 80/125 **086391**

Chimney Place 158 **086392**

Pull Cone 130 **470251**



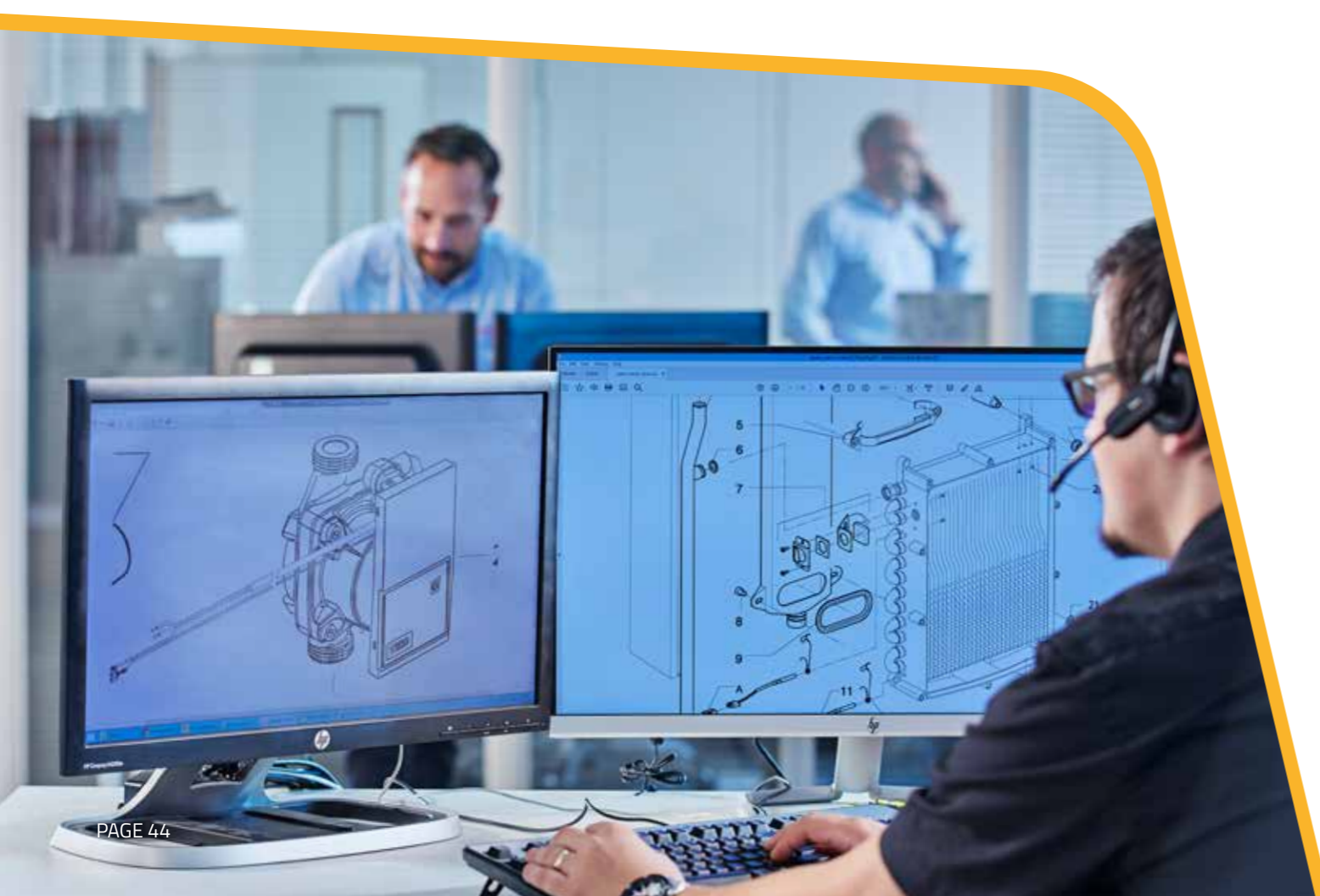
System Filter &  
Chemical Pack  
**090044**



System Filter  
**090897**



Weather Slate 80/125  
25° - 45°  
**087909**





# INTERGAS SUPPORTS GAS SAFE

The Gas Safe Register is the official UK body for gas safety.

By law only a Gas Safe-registered engineer can install your gas boiler. All Gas Safe-registered engineers must adhere to stringent safety criteria and be up-to-date with the latest industry developments to retain their registration. All Intergas technicians and our recommended installers are Gas Safe-registered.



Tested and approved by Gas Safe Register, the MiREG+ app is designed to help Intergas installers work smarter and faster.

The app simplifies on-site documentation and improves record keeping and compliance. Intergas also pays the Building Regulation notification fee on all Intergas boilers. To benefit, register now on [www.myintergasregistration.co.uk](http://www.myintergasregistration.co.uk)



Intergas is a member of Benchmark. This is a nationally recognised scheme that promotes quality in the installation, commissioning and servicing of domestic heating and hot water systems, in line with Part L of the Building Regulations.





**INTERGAS®**

HEATING SOLUTIONS

**Intergas Heating Ltd**

Unit 2 Easter Park

Worcester Road

Kidderminster

Worcestershire DY11 7AR

01527 888000

info@intergas-heating.co.uk

**WWW.INTERGASHEATING.CO.UK**

*The information in this brochure was correct at the time of going to print.  
Intergas Heating Solutions reserves the right to make any modifications to  
product specifications or any other details, without prior notification.  
For further clarification, please enquire in writing to the head office address below.*



Member of the Rheem® family