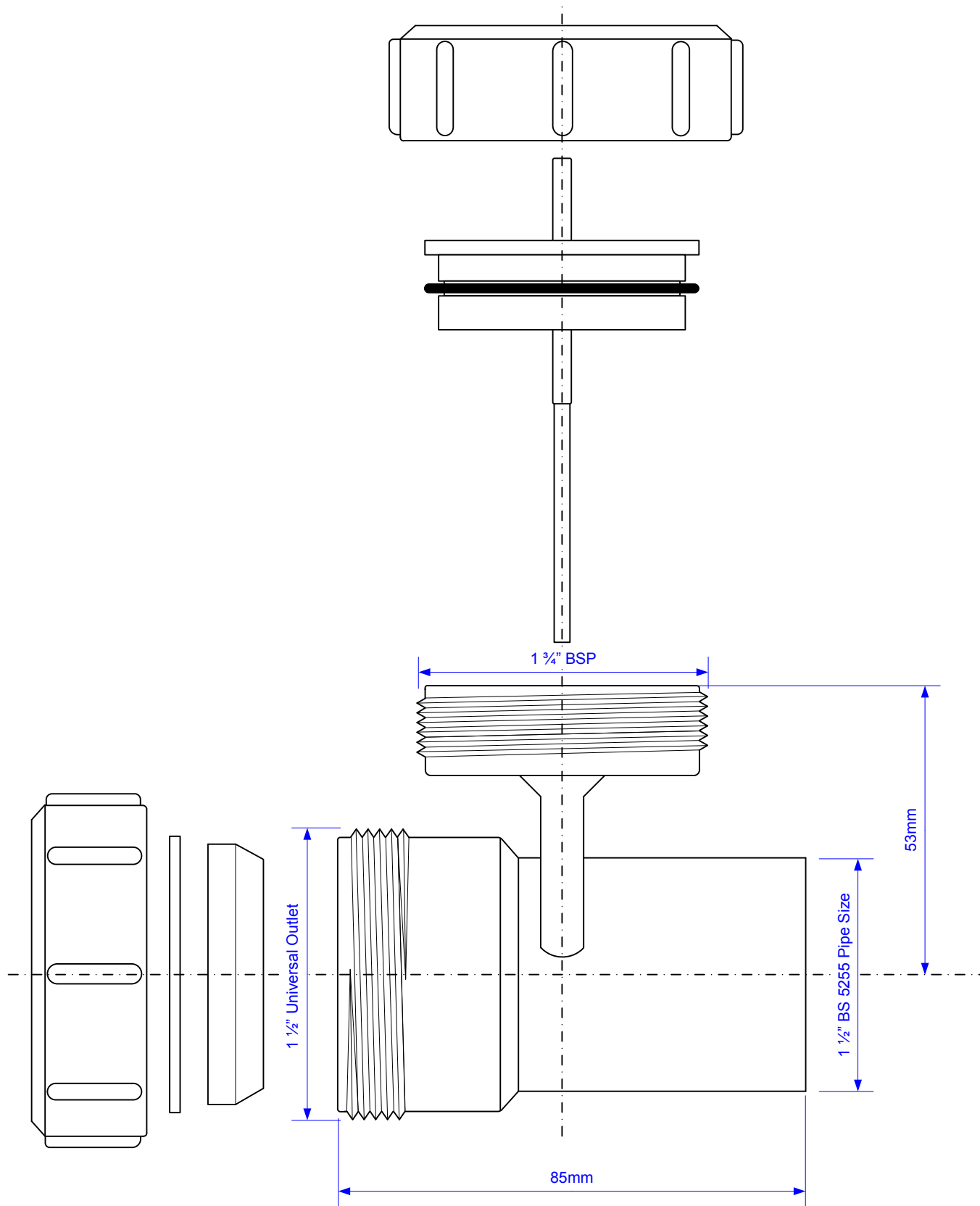


Code:

T28M-FIL



© McALPINE
04/02/2002

Drawing verified correct as of:	17/11/2014 RM	DRAWN BY	REVISD	FILENAME
		RM	17/11/2014	T28M-FIL.VSD
		SCALE	DATE	
		1: 1	17/11/2014	